

TRADE PRICE BOOK

No. 32

July 2, 2024



*Heating solutions that are as
smart and agile as the Gray Jay.*

www.weil-mclain.ca



WEIL-McLAIN
CANADA

WEIL-McLAIN PRICE PAGE INDEX

SECTION 1 -- GAS BOILERS HIGH EFFICIENCY	PAGE NO.
Weil Mclain Canada Sales Representatives	1-0
ECO TEC High Efficiency Boiler	1-1
Evergreen Condensing Gas Boiler	1-2
AquaBalance Wall Mount Condensing Gas Boiler	1-3
ULTRA Water Boilers	1-4
GV90+ Water Boiler	1-5
SVF Stainless Steel Vertical Firetube Boiler 500-600	1-6
SVF Stainless Steel Vertical Firetube Boiler 725-1000	1-7
SVF Stainless Steel Vertical Firetube Boiler 1500-3000	1-8
Slimfit Commercial Boiler 550-750	1-9
Slimfit Commercial Boiler 1000-2000	1-10
SECTION 2 -- GAS BOILERS MID EFFICIENCY	
CGI Boiler Series 4	2-1
CGA Boiler Series 3	2-2
EG Water/Steam Boilers	2-3
EGH Steam Boilers	2-4
SECTION 3 -- OIL BOILERS HIGH EFFICIENCY	
Ultra Oil	3-1
Gold Oil Water Boilers WGO/WTGO	3-2
Gold Oil Steam Boilers SGO	3-3
SECTION 4 -- GAS AND/OR OIL BOILERS MID EFFICIENCY	
LGB Water/Steam Boilers	4-1
LGB Optional Equipment	4-2
H-80 Series 1	4-3
80 Series 1 (Water/Steam) Boilers	4-4
80 Series 1 - Optional Equipment	4-5
80 Series 1 - Burners	4-6
H-88 Series 2	4-7
88 Series 2 (Water/Steam) Boilers	4-8
88 Series 2 - Optional Equipment	4-9
88 Series 2 - Burners	4-10
Cobalt Series	4-11
Cobalt Series - Optional Equipment	4-12
Cobalt Series - Burners	4-13
Cobalt Series - Control Package Adder	4-14
94 Series 3 (Water/Steam) Boilers	4-15
94 Series 3 - Burners	4-16
SECTION 5 -- ADDITIONAL BOILER EQUIPMENT AND CONTROLS	
Aqua Plus Water Heaters	5-1
Aqua Pro Water Heaters	5-2
Additional Boiler Equipment	5-3
Multiple Boiler System Controls	5-4
SECTION 6 -- RADIATION	
Type "RC" Cast Iron Baseboard	6-1
SECTION 7 -- ADDITIONAL INFORMATION	
Warranty Page 1	7-1
Warranty Page 2	7-2
Warranty Page 3	7-3
Warranty Page 4	7-4
Warranty Page 5	7-5
Warranty Page 6	7-6
Terms and Conditions	7-7

Weil-McLain

Sales Representatives

PROVINCES	DISTRICT	AGENCY	ADDRESS	PHONE NUMBERS	FAX NUMBER	EMAIL ADDRESS
ALBERTA	Southern	Allan Forrest Sales Ltd	#10, 4980 12A Street S.E. Calgary AB T2G 5K9	(403) 479-4050	(403) 243-7353	design@allanforrest.com
ALBERTA NWT/YUKON	Northern	Allan Forrest Sales Ltd	18039 - 107 Avenue Edmonton AB T5S 1K3	(780) 452-8551	(780) 452-3488	stephen@allanforrest.com derek@allanforrest.com
BRITISH COLUMBIA		Icon Agencies	1525 Boardway Ave Unit #114 Port Coquitlam, BC V3C 6P6	(778) 285-4288	(778) 285-2776	dan.cramer@iconagency.ca Awais@iconagency.ca
MANITOBA (Including Thunder Bay, ONT)		Hydron-Aire Ltd.	25 Maindu Bay Grande Pointe, MB R5H 1H7	(204) 255-3360	(204) 786-2275	craigk@hydron-aire.com garetr@hydron-aire.com
NEW BRUNSWICK		MacLeod & Grant Ltd.	451 Paul Street Suite 213 Dieppe NB E1A 6W8	(506) 383-3151	(506) 388-1927	slewis@macleodandgrant.com
NEWFOUNDLAND, NOVA SCOTIA & P.E.I.		MacLeod & Grant Ltd.	106 MacKay Street P.O. Box 809 Stellarton NS B0K 1S0	(902) 752-5532	(902) 752-7778	tweir@macleodandgrant.com
ONTARIO	Central / GTA	Weil-McLain Canada	4390 Paletta Court Unit M Burlington ON L7L 5R2	Craig: (416) 568-5218 Lorenzo: (416) 522-2868	(905) 456-8582	cdemaray@weil-mclain.ca lrigatti@weil-mclain.ca
ONTARIO	Eastern	E.J. Barnabe	4329 Wildmint Square Ottawa ON K1V 1N5	(613) 822-2361	(613) 822-4156	barnabe@bell.net
ONTARIO	Northern	Integrity Sales	410-269 Main St. North Bay Ontario. P1B 2T8	(877) 638-1919		sean@integritysales.ca
ONTARIO	South Western	Weil-McLain Canada	4390 Paletta Court Unit M Burlington ON L7L 5R2	Cyril (519) 476-8420		ckoval@weil-mclain.ca
QUEBEC		Agences Jacques Desjardins Inc.	20 Emilien-Marcoux Suite 108 Blainville QC J7C 0B5	(450) 420-0778	(450) 420-0779	sylvie.desjardins@agencedesjardins.com jessica.bellavance@agencedesjardins.com
SASKATCHEWAN		Westcan Mechanical Sales	1349 Wallace Street Regina Saskatchewan S4N 3Z5	(306) 347-2700	(306)-359-3515	sales@westcansales.ca

In the interest of continual improvements in product and performance, Weil-McLain reserves the right to change specifications without notice.

FOR OTHER ADDITIONAL BOILER EQUIPMENT AND CONTROLS - SEE SECTION 5

REFER TO TERMS & CONDITIONS FORM ON PAGE 7-7

ALL TAXES EXTRA

Effective: July 2nd, 2024

PAGE 1-0



NEW SERIES - Now Able To Connect & Operate Up to 8 Boilers with Optional Kit

Standard Equipment

Boiler
 Stainless Steel Fire-Tube Heat Exchanger
 Non-Metallic Heat Exchanger Base
 Negative Regulated Combustion
 10 to 1 Turndown Ratio (110-199 Sizes)
 8 to 1 Turndown Ratio (80 Size)
 Built-in Boiler Circulator (Taco 0015e)
 All Heat Only & Combi Boilers
 3 in 1 Air/Vent Adapters w/Test Port
 Readily Accepts 3" PVC, PP & SS
 Built in LWCO Port
 Low NOx < 20 PPM
 High Altitude Approved

Control features
 NEW Bluetooth Connectivity Ability
 Color Touch Screen Display
 Easy Set-up with Control Wizard
 Zone and/or Priority Based Control
 Four Thermostat Inputs (Heat Only Boilers)
 Two Thermostat Inputs (Combi Boilers)
 0-10V Input (modulation or setpoint)
 Outdoor Reset for Each Priority
 Rate Adjustable per Priority
 Five Total Outputs
 One dedicated boiler circulator (built in)
 Four additional outputs can be used with circulators, dampers, or system aux
 Aux Inputs – Flow Switch or End Switch
 Aux Outputs – System Pump or Damper
 Individually fused 120V outputs
 Modbus Connectivity
 Additional Heat Demand Contact
 Advanced Combi Algorithms
 Performance Options

Jacket Assembly
 Fully Removable Door
 Wall Mount Bracket
 Sealed Cabinet Design
 -Preheats Incoming Air
 -Prevents Debris Going Directly into Blower
 Condensate Trap

Warranty
Residential
 2-Year Parts Warranty
 5-Year Parts Warranty if Registered
 12-Year Heat Exchanger Warranty

Commercial
 1-Year Parts Warranty
 10-Year Warranty on Heat Exchanger

BOILER MODEL (Heat Only)	CSA INPUT MBH	CSA OUTPUT MBH	NET AHRI RATINGS MBH	DOE AFUE %	VENT DIAMETER INCHES	SHP WGT	PART NUMBER
ECO TEC 80 - H	80	74	64	95.0	3"	138	383-900-153
ECO TEC 110 - H	110	100	87	95.0	3"	138	383-900-154
ECO TEC 150 - H	150	139	121	95.0	3"	150	383-900-155
ECO TEC 199 - H	199	184	160	95.0	3"	161	383-900-156

BOILER MODEL (Combi)	CSA INPUT MBH	CSA OUTPUT MBH	NET AHRI RATINGS MBH	DOE AFUE %	VENT DIAMETER INCHES	SHP WGT	PART NUMBER
ECO TEC 110 - C	110	100	87	95.0	3"	147	383-900-150
ECO TEC 150 - C	150	139	121	95.0	3"	159	383-900-151
ECO TEC 199 - C	199	184	160	95.0	3"	170	383-900-152

ADDITIONAL BOILER EQUIPMENT

DESCRIPTION	PART NUMBER
ECO Tec Floor Stand Pedestal	383-700-339
Easy Up Manifold Kit (Both Heat and Combi)	383-700-343
Combi Service Valve (Typically ordered w/ manifold kit)	383-700-346
L.W.C.O. Kit. 24 Volt Quick Connect 3/4 N.P.T	511-100-005
Maintenance Kit 80 & 110	383-700-265
Maintenance Kit 150	383-700-266
Maintenance Kit 199	383-700-267
ECO Tec Parts Kit 80, 110 & 150	383-700-344
ECO Tec Parts Kit 199	383-700-345
Concentric Vent Kit CPVC 2"	111-AQU-031
Concentric Vent Kit CPVC 3"	111-AQU-030
Sidewall Vent Termination Plate	383-500-397
NG to LP Conversion Kit - 80 & 110 Size	510-811-415
NG to LP Conversion Kit - 150 Size	510-811-416
NG to LP Conversion Kit - 199 Size	510-811-417
Condensate Neutralizer Kit	383-500-631
System Sensors	383-700-371
Inhibitor Sentinel X-100 Tube	592-900-002
Multi-Boiler Wiring Kit (1 Needed Per Boiler)	383-700-272

Additional Extended Warranty: Contact Customer Service for Details or Visit www.weil-mclain.ca



Shown on optional Base



In the interest of continual improvements in product and performance, Weil-McLain reserves the right to change specifications without notice.

FOR OTHER ADDITIONAL BOILER EQUIPMENT AND CONTROLS - SEE SECTION 5



Standard Equipment

BOILER MODEL	INPUT MBH	DOE HEATING CAPACITY MBH	NET AHRI RATINGS MBH	DOE AFUE %	VENT DIAMETER INCHES	SHP WGT	PART NUMBER
EVG-110	110	101	88	95.0	3"	125	383-900-005
EVG-155	155	143	124	95.1	3"	145	383-900-006
EVG-220	220	206	179	95.0	3 3/4"	215	383-900-000
EVG-299	299	280	243	95.0	4"	260	383-900-001
(1) EVG-300	300	286	248	96.0	4"	260	383-900-003
(1) EVG-399	399	383	333	96.5	4"	260	383-900-002

(1) Evergreen 399 Ratings are Gross Output & Combustion Efficiency.

Meets Energy Star Guidelines, UL 353 Compliant

Note: Propane Conversion Kits and Sentinel X100 are no longer standard equipment.

Propane Boiler (Conversion Kit Included)

BOILER MODEL	PART NUMBER
EVG-110	100-900-005
EVG-155	100-900-006

ADDITIONAL BOILER EQUIPMENT

DESCRIPTION	PART NUMBER
Wall-Mount Kit (220-399)	383-900-074
Condensate Neutralizer Kit	383-500-631
Evergreen 110 NG to LP Conversion Kit	540-131-088
Evergreen 155 NG to LP Conversion Kit	540-202-839
Evergreen 220 NG to LP Conversion Kit	540-202-840
Evergreen 299 NG to LP Conversion Kit	540-202-841
Evergreen 399 NG to LP Conversion Kit	540-202-842
Evergreen 70 Maintenance Kit	383-700-165
Evergreen 110 Maintenance Kit	383-700-243
Evergreen 155 Maintenance Kit	383-700-200
Evergreen 220 Maintenance Kit	383-900-071
Evergreen 299 Maintenance Kit	383-900-072
Evergreen 399 Maintenance Kit	383-900-088
BacNet Conversion Kit	383-600-322
LonWorks Conversion Kit	383-600-332
EVG Easy Up Manifold (EVG 70-220)	383-900-125
EVG Easy Up Manifold (EVG 299-399)	383-900-126
Evergreen 110-155 Parts Kit	383-900-161
Evergreen 299-399 Parts Kit	383-900-162
Additional Extended Warranty: Contact Customer Service for Details or Visit www.weil-mclain.ca	

Boiler

Stainless steel fire-tube heat exchanger floor standing or wall-mount option
 Negative regulated combustion
 5 to 1 turndown ratio (EVG 70-155)
 10 to 1 turndown ratio (EVG 220-399)
 Boiler circulator
 Low water cut-off
 Low NOx < 20 PPM

Control Features

Easy Set-up with Control Wizard
 Zone and/or Priority Based Control
 Three Thermostat Inputs
 Outdoor reset for each priority
 Rate adjustable per priority
 0-10V Input (modulation or setpoint)
 Four total Outputs
 • 1 dedicated boiler circulator output
 • 3 additional outputs can be used with circulators, dampers, or system aux
 Aux Inputs – Flow Switch or End Switch
 Aux Outputs – System Pump or Damper
 Modbus Connectivity
 Additional heat demand contact

Boiler Circulators

- Taco ECM 007e (110)
 - Taco ECM 0015e (155)
 - Taco 0014 (220/299)
 - Taco 0013 (399)

Multiple Boiler Features

Up to 8 Boilers, Multiple System Series, Parallel, or Smart Sequencing
 Lead Boiler Rotation
 2 Network Priorities per Boiler
 2 Local Priorities per Boiler
 24 Zone Inputs and Outputs with 8 total cascaded boilers
 Aux Inputs – Flow Switch or End Switch
 System Aux Outputs – System Pump or Damper

Jacket Assembly

Easy maintenance with top access panel
 Fully Removable Jacket Front Door
 Adjustable Boiler Legs
 On/Off Power Switch
 Line Voltage Service Receptacle
 Mounting Bracket ready for wall-mount kit

Warranty

5-Year Parts Warranty on all Evergreen Boilers installed after October 1st, 2017 in Residential Applications.
 Boilers must be registered.



In the interest of continual improvements in product and performance, Weil-McLain reserves the right to change specifications without notice.

Standard Equipment

Boiler

Stainless Steel Primary Heat Exchanger
 Stainless Steel Burner
 Direct Spark Ignition
 3-Speed Internal Circulator (combi only)
 Outdoor Sensor
 Honeywell Control w/LCD Display
 24VAC Thermostat Relay
 Internal Condensate Drain
 Relief Valve
 DHW Flat Plate Heat Exchanger (combi)
 Temperature & Pressure Gauge
 Water Treatment - Inhibitor & Test Kit
 Low NOx Rated & ASME Certified

Complete Jacket Assembly with

Fully Removable Jacket Front & Sides
 Mounting Bracket & Hardware
 Plug in 120V Power Cord (6')
 3-in-1 Vent Adapter

HEATING BOILER

BOILER NUMBER	C.S.A. INPUT BTU/HR	DOE HEATING CAPACITY BTU/HR	HEATING DOE AFUE %	VENT SIZE	SHP WGT	PART NUMBER
AB-80H	80,000	75,000	95.0%	2" or 3"	64	383-100-035
AB-120H	120,000	112,000	95.0%	2" or 3"	67	383-100-045
AB-155H	155,000	144,000	95.0%	2" or 3"	67	383-100-055

COMBI BOILER

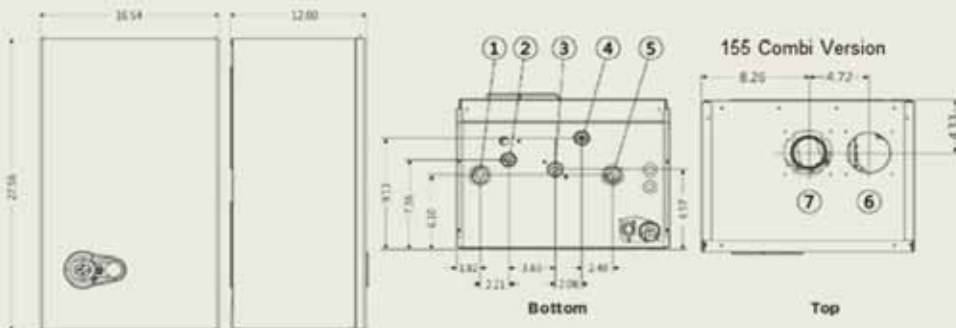
BOILER NUMBER	CSA INPUT BTU/HR	DOE HEATING CAPACITY BTU/HR	HEATING DOE AFUE %	VENT SIZE	DHW GPM @ 70° Rise	SHP WGT	PART NUMBER
AB-80C	80,000	75,000	95.0%	2" or 3"	2	70	383-100-030
AB-120C	120,000	112,000	95.0%	2" or 3"	3.2	80	383-100-040
AB-155C	155,000	144,000	95.0%	2" or 3"	4	87	383-100-050

Meets Energy Star Guidelines

ADDITIONAL BOILER EQUIPMENT

DESCRIPTION	PART NUMBER
Concentric Vent Kit CPVC 2"	111-AQU-031
Concentric Vent Kit CPVC 3"	111-AQU-030
Maintenance Kit 80/ 120	640-000-114
Maintenance Kit 155	640-000-112
NG to LP Conversion Kit - 80 Size	640-000-024
NG to LP Conversion Kit - 120 Size	640-000-025
NG to LP Conversion Kit - 155 Size	640-000-083
Condensate Neutralizer Kit	383-500-631
AquaBalance 80-120 Parts Kit	640-000-119
AquaBalance 155 Parts Kit	640-000-120
AquaBalance Service Parts Kit	640-000-134

Additional Extended Warranty: Contact Customer Service for Details or Visit www.weil-mclain.ca



In the interest of continual improvements in product and performance, Weil-McLain reserves the right to change specifications without notice.

Ultra

SERIES 4 CT

WALL MOUNT WATER BOILER



Standard Equipment

Boiler

- Cast Aluminum Block
- 30 PSI ASME Relief Valve
- Drain Valve
- Stainless Steel Woven Steel Fiber Mesh Burner
- Propane Conversion Kit
- Condensate Drain Trap with Drain Tee Assembly
- Inhibitor
- Gas/Air Ratio Venturi with Air Silencer
- Full Modulation Firing with 5:1 Turndown Ratio
- Outlet Water Temperature Sensor
- Flue Gas Temperature Sensor
- Outdoor Air Temperature Sensor
- System Water Temperature Sensors
- Combination Pressure-Temperature Gauge
- Adjustable Boiler Legs
- Vent/Air Termination Plate
- Vent Termination Bird Screen
- On/Off Power Switch
- Line Voltage Service Receptacle

Control Module

- 3.5" LCD Display
- Multiple Boiler Functionality with Alarm Control
- High Limit & Modulating Temp Control
- Low Water Protection
- Outdoor Reset
- Three Boiler Priorities with Multiple Pre-Sets
- Three Pump Control Capability

Boiler Circulator

- 007 TACO with 1" Flanges (80, 105)
- 0014 TACO with 1" and 1 1/4" Flanges (155, 230)
- 0014 TACO with 1 1/4" and 1 1/2" Flanges (299, 310)
- 0013 TACO with 1 1/4" and 1 1/2" Flanges (399)

Warranty

- Residential*
- 2-Year Parts Warranty
- 5-Year Parts Warranty if Registered
- 12-Year Heat Exchanger Warranty

Commercial

- 1-Year Parts Warranty
- 10-Year Warranty on Heat Exchanger

BOILER NUMBER	CSA MAX INPUT BTU/ HR	CSA MIN INPUT BTU/ HR	DOE HEATING CAP BTU/ HR	DOE AFUE %	VENT SIZE	MINIMUM BOILER LOOP PIPE SIZE	SHP WGT	PART NUMBER
80	80,000	16,000	71,000	93.5	2"/3"	1"	199	383-500-732
105	105,000	21,000	94,000	94.0	2"/3"	1"	207	383-500-734
155	155,000	31,000	139,000	94.0	3"	1 1/4"	234	383-500-735
230	230,000	46,000	207,000	94.1	3"/4"	1 1/4"	246	383-500-736
299	299,000	62,000	270,000	92.5	4"	1 1/2"	297	383-500-737
(1) 399	399,000	80,000	364,000 *	91.7	4"	1 1/2"	297	383-500-738

(1) Ultra 399 ratings are gross output and combustion efficiency

Meets Energy Star Guidelines

Note: Sentinel X100 and Test Kits are no longer standard equipment.

ADDITIONAL BOILER EQUIPMENT

DESCRIPTION	PART NUMBER
Ultra Cleaning Tool	591-706-200
Maintenance Kit Ultra 80-105	383-500-605
Maintenance Kit: 155-399	383-500-620
L.W.C.O 24 Volt Kit (3/4 N.P.T)	511-100-005
Wall Mount Kit (All Sizes)	389-900-180
Easy-Up Manifold 1- 1/4"	383-500-765
Easy-Up Manifold 1- 1/2"	383-500-766
CPVC Concentric Vent Kit (4" only)	111-AQU-060
CPVC Concentric Vent Kit (3" only)	111-AQU-030
Ultra Neutralizer Kit (525 MBH)	383-500-631
Inhibitor Sentinel X-100 Tube	592-900-002
Cleaner, Sentinel X-400 Tube	592-900-003
Test Kit Inhibitor	592-900-005
BacNet Conversion Kit	383-600-322
LonWorks Conversion Kit	383-600-332



In the interest of continual improvements in product and performance, Weil-McLain reserves the right to change specifications without notice.

FOR OTHER ADDITIONAL BOILER EQUIPMENT AND CONTROLS - SEE SECTION 5

GV90+

Series 2
HIGH EFFICIENCY GAS BOILER



Standard Equipment

Boiler

- Factory Tested
- Insulated Extended Steel Jacket
- Cast Iron Sections With Built-In Air Separator
- Stainless Steel Secondary Heat Exchanger With Air Separator
- Steel Base
- Control Module With Indicator Lights
- Blower Assembly with Observation Port
- Gas/Air Manifold Assembly
- Gas/Air Orifice Plate for Natural Gas (separate plate furnished for conversion to propane)
- Stainless Steel Burner Cone and Ring Assembly
- Negative Regulation Gas Valve
- Hot Surface Ignition System
- Air Pressure Switch
- System Circulator*
- Built-in-Bypass Circulator System with Sensor For Temperature Control*
- Condensate Drain Trap
- Sidewall Vent Vermination Kit**
- 40VA Transformer
- Electrical Junction Box
- 30 PSI ASME Relief Valve (Boiler sections & Second Heat Exchanger Tested for 50 PSI Working Pressure)
- Water Temperature Limit Switch
- Section Block Temperature Limit Switch
- Combination Pressure-Temperature Gauge
- Drain Valve
- Flue Thermal Fuse
- Water Treatment - Inhibitor & Test Kit

BOILER NUMBER (1)	CSA INPUT BTU/HR	DOE HEATING CAPACITY BTU/HR	DOE AFUE %	VENT SIZE	MINIMUM BOILER LOOP PIPE SIZE	SHP WGT	PART NUMBER
GV90+ - 3	70,000	65,000	91.9%	3"	1"	313	382-200-610
GV90+ - 4	105,000	97,000	91.2%	3"	1"	353	382-200-611
GV90+ - 5	140,000	130,000	91.4%	3"	1 1/4"	423	382-200-612
GV90+ - 6	175,000	161,000	91.0%	3"	1 1/4"	464	382-200-613

(1) For elevations between 2,000 and 4,500 ft. above sea level, rating should be reduced by 10%.

Boilers may be vented with 3" Stainless Steel or 3" ULCS636 PVC Pipe

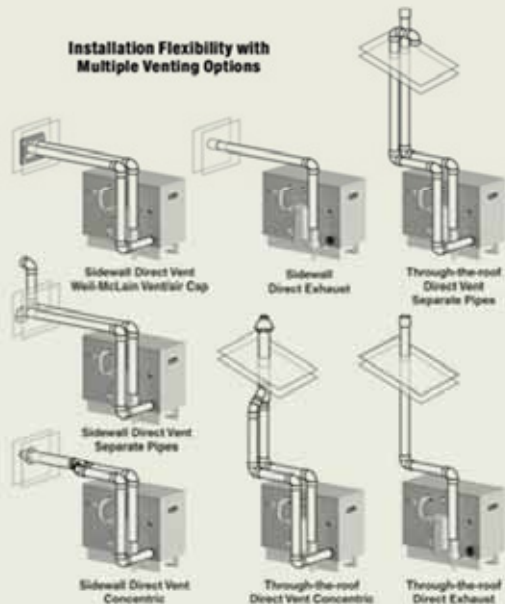
Meets Energy Star Guidelines

ADDITIONAL BOILER EQUIPMENT

DESCRIPTION	PART NUMBER
Vent Termination Kit. 3-Inch S.S. AL294C	382-200-430
Adapter - 3 inch AL294C Z-Vent	560-907-723
Vent Termination Kit PVC	383-500-397
Concentric Vent Kit CPVC 3"	111-AQU-030
Condensate Neutralizer Kit	383-500-631
Zone Interface Harness	381-356-585
Outdoor Reset Kit	381-356-586
Anderol 465 Oil 1.7 oz	592-900-036

*Circulators supplied with boiler cannot be removed and cannot be used as a zone circulator in multiple boiler systems.

**Includes Inside and Outside Plates, Vent Cap and



In the interest of continual improvements in product and performance, Weil-McLain reserves the right to change specifications without notice.

FOR OTHER ADDITIONAL BOILER EQUIPMENT AND CONTROLS - SEE SECTION 5

Standard Equipment

Boiler

Natural Gas - Propane (TBA)
 Down to <20 PPM NOx emissions
 160 PSI Working Pressure
 10:1-12:1 Turndown Ratio
 Low Gas Pressure Operation
 Direct Spark Ignition
 Variable Speed Blower Assembly
 Venturi Mixing System
 Negative Pressure Regulated Gas Valve
 50 VA Transformer
 Temperature and Pressure Gauge
 Outdoor Temp. Sensor
 Outlet and Inlet Water Temp. Sensor
 Flue Gas Temp. Sensor
 System Water Temp. Sensors
 30 PSI Relief Valve

CSD-1 Compliant

Manual Reset LWCO
 Manual Reset High & Low Gas Pressure Switches
 UL 353 Certified High Limit Control with Manual Reset
 UL 353 Certified Operating Control

Unity 2.0 Controller

Color Touchscreen Display
 Easy-Navigate Logic
 Intuitive Prompts and Functionality

Control Features

Zone and/or Priority based Control
 Ten Preloaded System Types including custom design
 0-10V Input (Modulation of Setpoint)
 Outdoor Reset for Each Priority
 Rate Adjustment Per Priority
 Individually Fused 120V Outputs
 Warm Weather Shutdown
 System Match Blower Control With Rapid Response
 Rectified Flame Detection for Supervision & Boost Override
 24 Hour Operational Trend Collection
 Before/After Fault Detection Data Logging

Boiler and Building Management System Compatible

Variable Speed Boiler Pump Control for Variable/Primary Applications
 8-Boiler Sequencing
 Modbus Communication
 Additional Heat Demand Output For Hybrid System Control

Boiler Certification

ASME IV, CSA, AHRI, Commercial Energy Star, SCAQMD.

Warranty - Non Pro Rated

10 year warranty on the Heat Exchanger
 2 year warranty on Parts

BOILER MODEL	CSA MAX INPUT MBH	CSA GROSS OUTPUT MBH	TURN DOWN RATIO	WATER VOLUME (GAL)	THERMAL EFFICIENCY	AHRI VENT SIZE	PART NUMBER
SVF 500	500	490	10:1	12.0	98.0%	4"	384-000-018
SVF 600	600	588	12:1	12.0	98.0%	4"	384-000-019

Note: Circulators are not included. Call Weil-McLain Customer Service for pricing.

ADDITIONAL BOILER EQUIPMENT

SVF KITS	MODEL #	PART NUMBER
Relief Valve #50	SVF500/600	383-600-064
Relief Valve #80	SVF500/600	383-600-521
Relief Valve #100	SFV500/600	384-000-149
Relief Valve #150	SVF500/600	384-000-150
BacNet Conversion Kit	SVF500/600	383-600-322
LonWorks Conversion Kit	SVF500/600	383-600-332
Maintenance Kit	SVF500/600	384-000-422
Condensate Neutralizer Kit	SFV500/600	383-600-076
Multi-Boiler Wiring Kit (1 Needed Per Boiler)	SFV500/600	383-700-272
LP Conversion Kit	SVF500/600	384-000-423
System Water Temp. Sensor (Strap-on Style)	SFV500/600	383-500-601
Boiler Variable Speed Circulator 1-1/2" Flange	SVF500/600	511-405-156
Boiler Isolation Valve 2" NPT	SFV500/600	384-000-368
Audible Alarm Buzzer with Housing	SFV500/600	384-000-365
Boiler E-Stop with Housing	SVF500/600	384-000-367
Minimum Waterflow Switch	SFV500/600	384-000-324
Wireless Outdoor Temp Sensor	SFV500/600	384-000-325



Model SVF500

Easy Install / Serviceability
 Easy Setup with Control Wizard
 Industry Grade Roller Casters with Leveling Legs
 Shipping Crate Ramp
 "Door-Fit" Design
 Zero-Clearance to Combustibles
 Stainless Steel Burner w/ Woven Fiber Mesh
 Single-Point Installation
 -All Field Connections (excludes Gas/Front)
 Out Back of Boiler



Model SVF600

In the interest of continual improvements in product and performance, Weil-McLain reserves the right to change specifications without notice.

Standard Equipment

Boiler

Natural Gas
 Down to <20 PPM NOx emissions
 160 PSI Working Pressure
 10:1-12:1 Turndown Ratio
 Low Gas Pressure Operation
 Direct Spark Ignition
 Variable Speed Blower Assembly
 Venturi Mixing System
 Negative Pressure Regulated Gas Valve
 50 VA Transformer
 Temperature and Pressure Gauge
 Outdoor Temp. Sensor
 Outlet and Inlet Water Temp. Sensor
 Flue Gas Temp. Sensor
 System Water Temp. Sensors
 Immersion Style - Supply & Return
 30 PSI Relief Valve

BOILER MODEL	CSA MAX INPUT MBH	CSA GROSS OUTPUT MBH	TURN DOWN RATIO	WATER VOLUME (GAL)	THERMAL EFFICIENCY	AHRI VENT SIZE	PART NUMBER
SVF 725	725	708	10:1	16.5	97.7%	4"	384-000-020
SVF 850	850	829	12:1	16.5	97.5%	4"	384-000-021
SVF 1000	1000	960	10:1	77.0	96.5%	6"	384-000-022

Note: Circulators are not included. Call Weil-McLain Customer Service for pricing.

ADDITIONAL BOILER EQUIPMENT

SVF KITS	MODEL #	PART NUMBER
Relief Valve #50	SVF725/850	383-600-064
Relief Valve #50	SVF1000	BP-000-00-406
Relief Valve #80	SVF725/850	383-600-065
Relief Valve #80	SVF1000	BP-000-00-424
Relief Valve #100	SVF725/850	384-000-149
Relief Valve #100	SVF1000	BP-000-00-431
Relief Valve #150	SVF725/850	384-000-150
Relief Valve #150	SVF1000	BP-000-00-438
BacNet Conversion Kit	SVF725/850	383-600-322
BacNet Conversion Kit	SVF1000	BP-000-00-477
LonWorks Conversion Kit	SVF725/850	383-600-332
LonWorks Conversion Kit	SVF1000	BP-000-00-479
Maintenance Kit	SVF725/850	384-000-379
Maintenance Kit	SVF1000	BP-000-00-706
Condensate Neutralizer Kit	SVF725/850	383-600-076
Condensate Neutralizer Kit	SVF1000	BP-000-00-639
Boiler Variable Speed Circulator 1-1/2" Flange	SVF725-1000	511-405-157
Boiler Isolation Valve 2" NPT	SVF725-850	1004-907-210
Boiler Isolation Valve 2 1/2" NPT	SVF1000	BP-000-00-732
Audible Alarm Buzzer with Housing	SVF725-1000	384-000-365
Minimum Waterflow Switch	SVF725-1000	384-000-324
Wireless Outdoor Temp Sensor	SVF725-1000	384-000-325

Enhanced Controls Specification

7" Color Touchscreen
 Two USB Ports - Charging and Mouse Capable
 One Ethernet Port
 One BMX Modbus RTU Port
 One Boiler Cascade Port

Control Features

Setup Wizard provides guided setup for virtually all applications
 Real time visual alarms with diagnostics and troubleshooting tips
 "Black Box" error trending providing performance data 10 minutes before and after error
 User selectable control algorithms allow for customized PID
 Upgradable software through USB
 Import and export parameters allow for copying complex parameters to other boilers and restoring settings
 Fully customizable night setback with relay for BMS and onboard 7 day schedule
 Outdoor air setpoint (ODA curve)
 Virtual technician with help buttons on all parameters
 CH and DHW priority mode to alternate between or simultaneously meet CH and DHW demands
 Customizable info screen for adding or removing information
 Screen shots capture current screen picture
 Setpoint boost for temporary "boosting" of setpoint
 Set relays to activate once every set 1 period with Relay Exercise

CSD-1 Compliant

Manual Reset LWCO
 Manual Reset High & Low Gas Pressure Switches
 UL 353 Certified High Limit Control with Manual Reset
 UL 353 Certified Operating Control

Warranty - Non Pro Rated

10 year warranty on the Heat Exchanger
 2 year warranty on Parts



Model SVF1000

Easy Install / Serviceability
 Easy Setup with Control Wizard
 Industry Grade Roller Casters with Leveling Legs
 Shipping Crate Ramp
 "Door-Fit" Design
 Zero-Clearance to Combustibles
 Stainless Steel Burner w/ Woven Fiber Mesh
 Single-Point Installation
 -All Field Connections (excludes Gas/Front)
 Out Back of Boiler



Model SVF725/850

In the interest of continual improvements in product and performance, Weil-McLain reserves the right to change specifications without notice.

Standard Equipment

Boiler

Natural Gas or Propane
 Up to 96.8% Thermal Efficiency
 Down to <20 PPM NOx emissions
 10:1 Turndown Ratio
 Low Gas Pressure Operation
 Direct Spark Ignition
 Variable Speed Blower Assembly
 Swirl Plate Enhanced Venturi Mixing System
 Negative Pressure Regulated Gas Valve
 50 VA Transformer
 Temperature and Pressure Gauge
 Outdoor Temp. Sensor
 Outlet and Inlet Water Temp. Sensor
 Flue Gas Temp. Sensor
 System Water Temp. Sensors
 Immersion Style - Supply & Return
 30 PSI Relief Valve

BOILER MODEL	C.S.A. MAX INPUT MBH	C.S.A. GROSS OUTPUT MBH	NET AHRI RATINGS	COMBUSTION EFFICIENCY	THERMAL EFFICIENCY	AHRI VENT SIZE	PART NUMBER
SVF 1500	1500	1448	1259	-	96.5	8"	384-000-014
SVF 2000	1999	1923	1672	-	96.2	8"	384-000-015
SVF 2500	2499	2419	2104	-	96.8	10"	384-000-017
SVF 3000	3000	2874	2499	95.8	-	10"	384-000-016

Note: Circulators are not included. Call Weil-McLain Customer Service for pricing.

ADDITIONAL BOILER EQUIPMENT

SVF KITS	MODEL #	PART NUMBER
Relief Valve #50 PSI 1 1/4 NPT	SVF 1500-2000	383-600-101
Relief Valve #50 PSI 2 1/2 NPT	SVF 2500-3000	383-600-096
Relief Valve #80 PSI 1 1/4 NPT	ALL	383-600-299
Relief Valve #100 PSI 1 1/4 NPT	ALL	383-600-298
Relief Valve #150 PSI 1 1/4 NPT	ALL	384-000-148
Annual Maintenance Kit	SVF 1500-2000	384-000-240
Annual Maintenance Kit	SVF 2500-3000	384-000-257
Antifreeze (5 Gallon)	ALL	592-900-006
Condensate Neutralizer Kit	ALL	383-600-287
Corrosion Inhibitor	ALL	592-900-016
Cleaner (1 Tube 275 ml)	ALL	592-900-003
System Water Temp Sensor (Strap On)	ALL	383-500-601
Natural Gas to LP Conv. Kit	SVF 1500-3000	384-000-221
BacNet Conversion Kit	ALL	383-600-322
LonWorks Conversion Kit	ALL	383-600-332
Boiler Variable Speed Circulator 2" Flange (SVF 1.5M)	ALL	511-405-158
Boiler Variable Speed Circulator 2-1/2" Flange (SVF 2M-3M)	ALL	511-405-159
Boiler Isolation Valve 3" NPT	ALL	1004-907-706
Audible Alarm Buzzer with Housing	ALL	384-000-365
Boiler E-Stop with Housing	ALL	384-000-367
Minimum Waterflow Switch	ALL	384-000-324
Wireless Outdoor Temp Sensor	ALL	384-000-325

Control Features

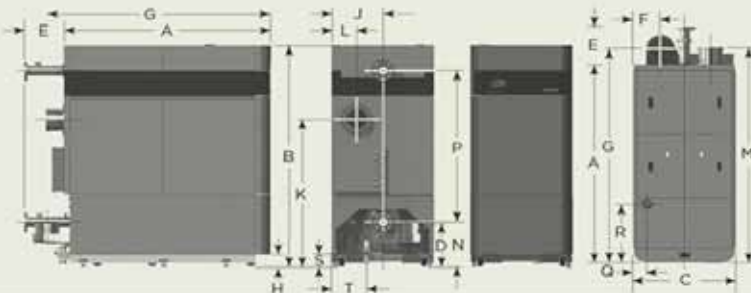
120 VAC / 60 Hertz / 1 Phase
 Operating Status Color LCD Display
 Preset Operating Parameters Including Typical Heating Systems
 Configurable Outdoor Reset
 Rate Setting for Each Input/Output
 0-10V Input (Modulation or Set Point)
 Standard Modbus Connectivity
 Additional Heat Demand Functionality
 Contact with 0-10V Output
 Labelled Terminal Blocks for Field Terminations
 Ignition Control
 High Limit & Modulating Temp. Control
 Alarm Control Functionality
 Onboard Time and Date
 Low Water Cutoff
 Manual Reset
 Warm Weather Shutdown
 Freeze Protection
 Boiler Service Interval & Contractor Info

Complete Jacket Assembly with

Fully Removable Jacket
 Rugged Steel Frame and Panels
 Manual Reset Push Button Through Display

Multiple Boiler Features

Up to 8 Boilers, Multiple System Functionality with Lead/Lag Capability
 Series, Parallel, or Smart Sequencing™
 Lead Boiler Rotation
 Variable Primary Flow Design Capable
 (3) Network Priorities per Boiler
 - Either (2) Network and (1) Local or (1) Network and (2) Local
 24 Zone Inputs and Outputs with 8 total cascaded boilers via zone stacking.
 Aux inputs - Flow End or Switch End
 System Aux Outputs - System Pump or Damper



Model No.	A	B	C	D	E	F	G	H	J	K	L	M	N	P	Q	R	S	T
1500/2000	70 1/4"	79"	35 1/4"	15 1/4"	13 1/4"	9 1/4"	70 1/4"	4 1/2"	17 1/2"	52 1/4"	8 1/2"	76 1/4"	16 1/4"	53 1/4"	4 1/4"	20 1/2"	4 1/4"	11 1/4"
2500/3000	70 1/4"	79"	35 1/4"	15 1/4"	16 1/4"	8 1/2"	77 1/4"	4 1/2"	17 1/2"	52 1/4"	8 1/2"	76 1/4"	16 1/4"	53 1/4"	4 1/4"	20 1/2"	4"	10 1/4"

Warranty - Non Pro Rated

10 year warranty on the Heat Exchanger
 2 year warranty on Parts

In the interest of continual improvements in product and performance, Weil-McLain reserves the right to change specifications without notice.

FOR OTHER ADDITIONAL BOILER EQUIPMENT AND CONTROLS - SEE SECTION 5

SLIMFIT

COMMERCIAL CONDENSING GAS BOILER

SERIES 3

BOILER NUMBER	CSA MAX INPUT MBH	CSA GROSS OUTPUT MBH	NET AHRI RATING MBH	THERMAL EFFICIENCY	COMBUSTION EFFICIENCY	I-B-R CHIMNEY SIZE VENT DIA. INCHES	SHP WGT	PART NUMBER
SF550	550	516	450	93.9%	94.7%	6	505	383-600-330
SF750	750	702	610	93.6%	94.0%	6 OR 8	550	383-600-331

Note: Circulators are not included. Call Weil-McLain Customer Service for pricing.

ADDITIONAL BOILER EQUIPMENT

DESCRIPTION	PART NUMBER
Relief Valve #50	383-600-064
Relief Valve #80	383-600-065
Intake Air Filter Kit Direct Vent	383-600-080
SlimFit 550/750 Maintenance Kit	383-600-079
Inhibitor X-100	592-900-002
Antifreeze Aluminum Safe Sentinel X-500 4 Litre	592-900-029
Cleaner Sentinel X-400	592-900-003
Test Kit Inhibitor	592-900-005
Neutralizer Kit (1000 MBH)	383-600-076
Heat Exchanger Cleaning Tool	591-706-201
BacNet Conversion Kit	383-600-322
LonWorks Conversion Kit	383-600-332
Boiler Variable Speed Circulator 1-1/2" Flange	511-405-157
Boiler Isolation Valve 2" NPT	384-000-368
Audible Alarm Buzzer with Housing	384-000-365
Boiler E-Stop with Housing	384-000-367
Minimum Waterflow Switch	384-000-324
Wireless Outdoor Temp Sensor	384-000-325

Standard Equipment

Boiler

Natural Gas
 Sectional Aluminum Block
 30 PSI ASME Relief Valve Standard Optional
 50 & 80 PSI
 Stainless Steel Burner with Woven Steel
 Fiber Mesh
 Direct Spark Ignition
 Variable Speed Blower Assembly
 Venturi Mixing System
 Negative Pressure Regulated Gas Valve
 Dual Scale T&P Gauge
 Outlet Water Temp. Sensor
 Inlet Water Temp. Sensor
 Flue Gas Temp. Sensor
 Outdoor Temp. Sensor
 System Water Temp. Sensor
 Intergrated Drain in Vent Adapters

CSD-1 Compliant

Manual Reset LWCO
 High & Low Gas Pressure Switches
 Manual Reset High Limit
 UL 353 Certified U-Control

Complete Jacket Assembly with

Fully Removable Jacket Front
 On/Off Power Switch
 Line Voltage Service Receptacle
 Condensate Trap with Drain Assembly
 Propane Conversion Orifice
 Vent Screens

Advanced Control System

3.5" LCD screen
 Intuitive, color coded display
 Express set up or fully customizable options
 Modbus standard, BACnet optional
 Preset typical heating systems
 0-10 VDC analog output signal to modulate a
 lag boiler in a hybrid boiler system
 Up to 8 boiler cascading and lead / lag rotation
 Multiple boiler operation with up to 24 circulators
 ZoneStacking™ - zone and priority options
 for up to 24 programmable zones.
 SmartSequencing™
 Alarms and advanced diagnostics
 High limit and modulating temperature control
 Boiler staging algorithm optimized for variable
 primary only systems
 Outdoor temperature reset and warm weather
 shutdown
 Boiler schedule and contractor information
 Low water protection
 High temperature limit with manual reset
 Ignition control



In the interest of continual improvements in product and performance, Weil-McLain reserves the right to change specifications without notice.

FOR OTHER ADDITIONAL BOILER EQUIPMENT AND CONTROLS - SEE SECTION 5

REFER TO TERMS & CONDITIONS FORM ON PAGE 7-7

ALL TAXES EXTRA

Effective: July 2nd, 2024

PAGE 1-9

SLIMFIT

COMMERCIAL CONDENSING GAS BOILER

SERIES 2

BOILER MODEL	CSA MAX INPUT MBH	CSA GROSS OUTPUT MBH	NET AHRI RATINGS	COMBUSTION EFFICIENCY	THERMAL EFFICIENCY	AHRI VENT SIZE	PART NUMBER
SF1000 LH	1000	958	833	96.1	95.8	6" or 8"	383-600-400
SF1000 RH	1000	958	833	96.1	95.8	6" or 8"	383-600-403
SF1500 LH	1500	1437	1250	95.9	95.8	6" or 8"	383-600-401
SF1500 RH	1500	1437	1250	95.9	95.8	6" or 8"	383-600-404
SF2000 LH	2000	1906	1657	95.8	95.3	8"	383-600-402
SF2000 RH	2000	1906	1657	95.8	95.3	8"	383-600-405

Note: Circulators are not included. Call Weil-McLain Customer Service for pricing.

ADDITIONAL BOILER EQUIPMENT

SLIMFIT KITS	PART NUMBER
Pressure Relief Valve 50 PSI	383-600-101
Pressure Relief Valve 80 PSI	383-600-299
Pressure Relief Valve 100 PSI	383-600-298
BacNet Conversion Kit	383-600-322
LonWorks Conversion Kit	383-600-332
Condensate Neutralizer Kit	383-600-287
10-6" Vent/ Air Adapter CPVC/ PVC	560-907-739
10-8" Vent/ Air Adapter CPVC/ PVC	560-907-738
Annual Maintenance Kit	383-600-225
Heat Exchanger Cleaning Tool	591-706-201
3/4 Inch Deep Well	511-724-299
Boiler Variable Speed Circulator 2" Flange (SF 1M)	511-405-158
Boiler Variable Speed Circulator 2-1/2" Flange (SF 1.5-2M)	511-405-159
Boiler Isolation Valve 3" NPT	1004-907-706
Audible Alarm Buzzer with Housing	384-000-365
Boiler E-Stop with Housing	384-000-367
Minimum Waterflow Switch	384-000-324
Wireless Outdoor Temp Sensor	384-000-325



In the interest of continual improvements in product and performance, Weil-McLain reserves the right to change specifications without notice.

Standard Equipment

Boiler

Natural Gas
 Sectional Aluminum Block
 30 PSI ASME Relief Valve Standard
 Stainless Steel Burner with Woven Steel Fiber Mesh
 Direct Spark Ignition
 Variable Speed Blower Assembly
 Venturi Mixing System
 Negative Pressure Regulated Gas Valve
 50 VA Transformer
 Temperature & Pressure Gauge
 Outlet Water Temp. Sensor
 Inlet Water Temp. Sensor
 Flue Gas Temp. Sensor
 Outdoor Temp. Sensor
 System Water Temp. Sensor
 10 YR Heat Exchanger Warranty
 2 YR Parts Warranty

Advanced Control System

3.5" LCD screen
 Intuitive, color coded display
 Express set up or fully customizable options
 Modbus standard, BACnet optional
 Preset typical heating systems
 0-10 VDC analog output signal to modulate a lag boiler in a hybrid boiler system
 Up to 8 boiler cascading and lead / lag rotation
 Multiple boiler operation with up to 24 circulators
 ZoneStacking™ - zone and priority options for up to 24 programmable zones.
 SmartSequencing™
 Alarms and advanced diagnostics
 High limit and modulating temperature control
 Boiler staging algorithm optimized for variable primary only systems
 Outdoor temperature reset and warm weather shutdown
 Boiler schedule and contractor information
 Low water protection
 High temperature limit with manual reset
 Ignition control
 Multiple inputs with assignable priority

Complete Jacket Assembly with

Fully Removable Jacket
 On/Off Power Switch
 Manual Reset Push Button
 Condensate Tray with Drain Tee Assembly

CSD-1 Compliant

Manual Reset LWCO
 Manual Reset High & Low Gas Pressure Switches
 Manual Reset High Limit
 UL 353 Certified Control

FOR OTHER ADDITIONAL BOILER EQUIPMENT AND CONTROLS - SEE SECTION 5

Note: Limited Quantities. Call for availability.

BOILER NUMBER (1)	CSA INPUT BTU/HR	DOE HEATING CAPACITY BTU/HR	DOE AFUE %	VENT SIZE	MINIMUM BOILER LOOP PIPE SIZE	SHP WGT	PART NUMBER
CGi-25-PIN	48,000	41,000	84.0%	4"/3"	3/4"	200	381-359-001
CGi-3-PIN	58,000	49,000	84.0%	4"/3"	1"	200	381-359-003
CGi-4-PIN	90,000	77,000	84.0%	5"/3"	1"	245	381-359-005
CGi-5-PIN	119,000	102,000	84.0%	5"/3"	1"	290	381-359-007
CGi-6-PIN	158,000	135,000	84.0%	5"/3"	1 1/4"	335	381-359-009
CGi-7-PIN	190,000	162,000	84.0%	5"/3"	1 1/4"	390	381-359-011
CGi-8-PIN	222,000	189,000	84.0%	5"/3"	1 1/2"	420	381-359-013

(1) For elevations between 2,000 to 4,500 ft. above sea level, rating should be reduced by 10% and the boiler designated with the prefix "A" (Example: ACGi-3-PIN).

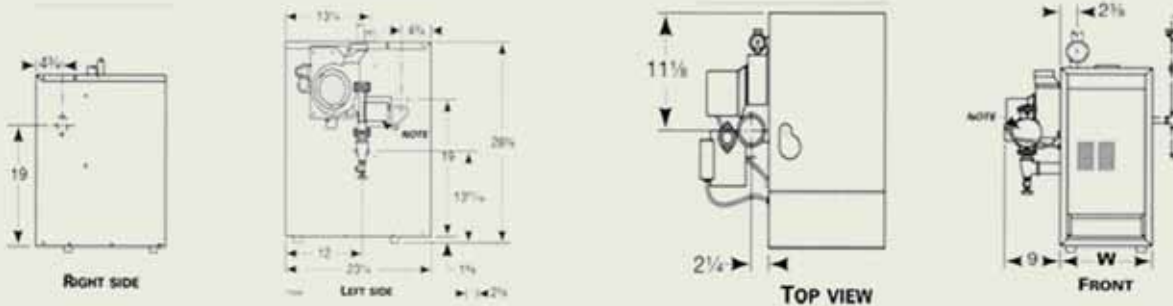
Boiler can be vented directly outside using 3" AL29-4C Stainless Steel vent pipe (see Boiler Manual)

Standard Equipment

- Cast Iron Sections
- LWCO with Test Button
- Enclosed Sound-reducing Blower Assembly
- Built-in Air Separator
- 30 P.S.I. ASME Relief Valve
- Air Pressure Switch
- Stainless Steel Burners
- Combination Gas Valve and Regulator
- Thermal Fuse Element
- High Limit Temperature Control
- Integrated Control Module
- 40 VA Transformer
- Combination T&P Gauge
- Wiring Harness
- Spill Switch
- Insulated Extended Jacket
- Two Piece Top Jacket Panel
- Electrical Junction Box
- Radiation Plates
- Flue Gas Collector Assembly
- Vertical Draft Hood
- Drain Valve
- Circulator (when ordered)

ADDITIONAL BOILER EQUIPMENT

DESCRIPTION	PART NUMBER
50 P.S.I Relief Valve Available Upon Request	N.P.N.
CGi & CGs Starter (Z VENT) 3" Dia.	699-999-073
CGi & CGs Horizontal Drain Tee (Z VENT) 3" Dia.	699-999-074
CGi 25 NG to LP Conversion Kit	510-811-260
CGi 3-5 NG to LP Conversion Kit	510-811-262
CGi 6 NG to LP Conversion Kit	510-811-266
CGi 7-8 NG to LP Conversion Kit	510-811-268
Zone Interface Harness	381-356-585
Outdoor Reset Kit	381-356-586



In the interest of continual improvements in product and performance, Weil-McLain reserves the right to change specifications without notice.

Note: Limited Quantities. Call for availability.

BOILER NUMBER	CSA INPUT BTU/HR	DOE HEATING CAPACITY BTU/HR	DOE AFUE %	MINIMUM BOILER LOOP PIPE SIZE	SHP WGT	CHIMNEY SIZE	PART NUMBER
CGa-25-PIDN	38,000	32,000	84.0%	3/4"	200	4" I.D. x 20'	381-359-071
CGa-3-PIDN	67,000	56,000	84.0%	1"	200	4" I.D. x 20'	381-359-073
CGa-4-PIDN	100,000	85,000	84.0%	1"	240	5" I.D. x 20'	381-359-075
CGa-5-PIDN	133,000	113,000	84.0%	1"	280	6" I.D. x 20'	381-359-077
CGa-6-PIDN	166,000	141,000	84.0%	1 1/4"	325	6" I.D. x 20'	381-359-079
CGa-7-PIDN	200,000	170,000	84.0%	1 1/4"	370	7" I.D. x 20'	381-359-081
CGa-8-PIDN	233,000	198,000	84.0%	1 1/2"	425	7" I.D. x 20'	381-359-083

Standard Equipment

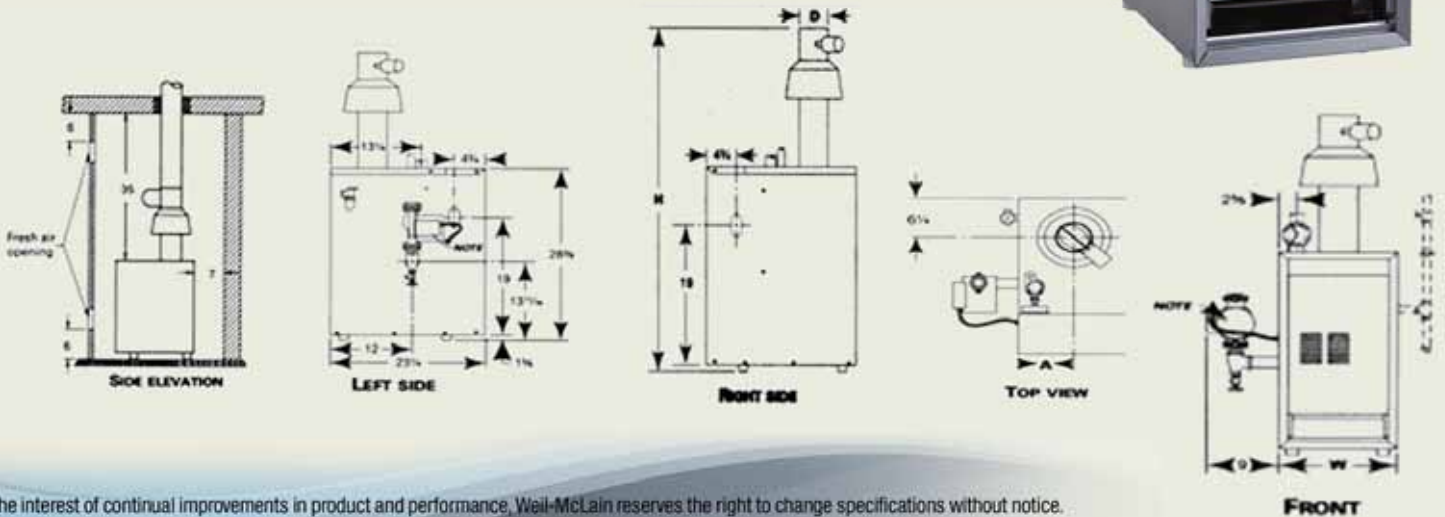
- Cast Iron Sections
- LWCO with Test Button
- Built-in Air Separator
- 30 P.S.I. ASME Relief Valve
- Stainless Steel Burners
- Non Linting Pilot Burner
- Automatic Vent Damper
- Thermal Fuse Element
- High Limit Temperature Control
- Integrated Control Module
- 40 VA Transformer
- Plug-in Connectors
- Combination T&P Gauge
- Wiring Harness
- Spill Switch
- Insulated Extended Jacket
- Two Piece Top Jacket Panel
- Electrical Junction Box
- Radiation Plates
- Vertical Draft Hood
- Drain Valve
- Circulator (when ordered)

ADDITIONAL BOILER EQUIPMENT

DESCRIPTION	PART NUMBER
CGA 25-7 Series 3 NG to LP Conversion Kit	510-811-980
CGA 8 Series 3 NG to LP Conversion Kit	510-811-981
50 P.S.I Relief Valve Available Upon Request	N.P.N.
Zone Interface Harness	381-356-585
Outdoor Reset Kit	381-356-586

Boiler Designations:

- PIDN - Intermittent Electric Pilot-Propane - With Damper
- PIDN - Intermittent Electronic Pilot - Natural Gas Only - With Damper (84.0%)



In the interest of continual improvements in product and performance, Weil-McLain reserves the right to change specifications without notice.



ATMOSPHERIC GAS BOILER

Water Square Feet based upon average water temperature or 170 °F in radiators.
 For elevations between 2,000 and 4,500 ft. above sea level, rating should be reduced by 10% and the boiler should be designated with the prefix "A". Example: (AEG-35-PIDN-W)

Standard Equipment

Boiler

- Natural Gas
- Propane (Not Available)
- Assembled Section Block
- Horizontal to Vertical Draft Hood
- Combination Gas Valve and Regulator
- Spill Switch (EG-35 thru 65)
- Thermopile
- 40VA Transformer

Water

- High-Limit Control
- Built-in Air Eliminator
- 30 P.S.I. A.S.M.E. Relief Valve
- Comb. Pressure Temperature Gauge
- Operating Control (EG-75 Only)

Steam

- High-Limit Pressure Control
- Steam Pressure Gauge
- A.S.M.E Safety Valve 15 P.S.I.
- Gauge Cocks
- Gauge Glass
- Low Water Cut-Off. 67W-1

Boiler Designations

PIDN: Intermittent Electronic Pilot;
 Natural Gas Only; With
 Damper - Water Efficiency
 (83.4%) / Steam Efficiency
 (82.0%)

BOILER NUMBER (WATER)	CSA INPUT MBH	WATER DOE HEATING CAPACITY MBH	NET AHRI RATINGS		SHP WGT	PART NUMBER
			WATER MBH	WATER SQ. FT.		
EG-35-PIDN-W	100.0	85	74	467	410	118-351-500
EG-40-PIDN-W	125.0	106	92	587	500	118-401-500
EG-45-PIDN-W	150.0	127	110	707	500	118-451-500
EG-50-PIDN-W	175.0	148	129	820	590	118-501-500
EG-55-PIDN-W	200.0	169	147	947	590	118-551-500
EG-65-PIDN-W	238.0	201	175	1,180	680	118-651-500
EG-75-PIDN-W	282.0	237	206	1,393	755	118-751-500

BOILER NUMBER (STEAM)	CSA INPUT MBH	STEAM DOE HEATING CAPACITY MBH	NET AHRI RATINGS		SHP WGT	PART NUMBER
			STEAM MBH	STEAM SQ. FT.		
EG-35-PIDN-S	100.0	85	62	258	410	118-354-502
EG-40-PIDN-S	125.0	106	77	325	500	118-404-502
EG-45-PIDN-S	150.0	127	93	392	500	118-454-502
EG-50-PIDN-S	175.0	148	109	454	590	118-504-502
EG-55-PIDN-S	200.0	169	125	521	590	118-554-502
EG-65-PIDN-S	238.0	201	149	654	680	118-654-502
EG-75-PIDN-S	282.0	237	176	750	755	118-754-502

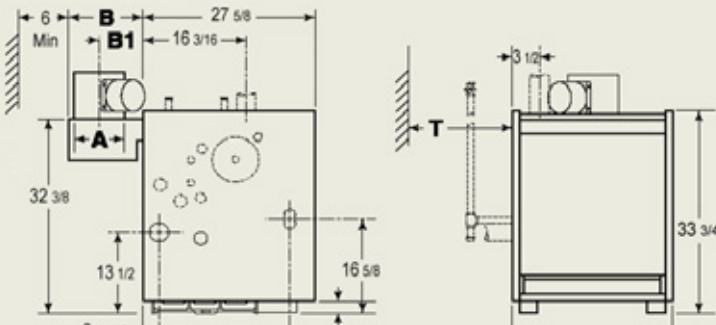
ADDITIONAL EQUIPMENT

DESCRIPTION	PART NUMBER
Tankless Heater Openings (With Cover Plate)	N.P.N.
EG Water or Steam - One Tankless Heater Opening in place of Standard Section	
Tankless Heater Water E-624 (EG35-45)	590-921-904
Tankless Heater Water E-626 (EG50-55)	590-921-905
Tankless Heater Water E-632 (EG65-75)	590-921-901
Tankless Heater Steam 35- S-29 (All Sizes)	386-700-350
150S-MD Lo-Water Cutoff & Pump Control	511-114-526

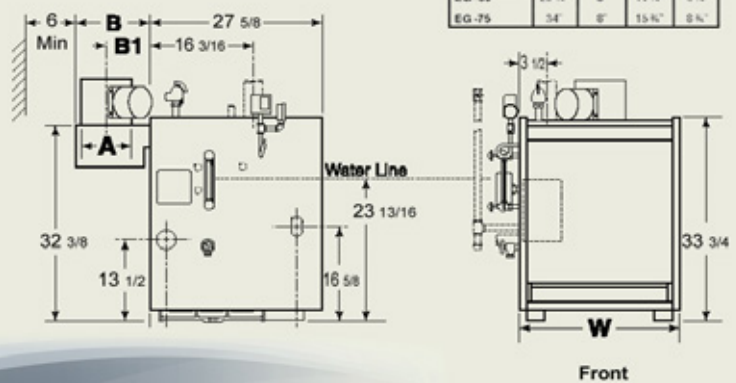
Water Square Feet based upon average water temperature or 170 °F in radiators. For elevations between 2,000 and 4,500 ft. above sea level, rating should be reduced by 10% and the boiler should be designated with the prefix "A". Example: (AEG-35-PIDN-W)



WATER



STEAM



	W	A	B	B1
EG-35 & -35	17"	5"	11 1/2"	6 1/2"
EG-40 & -45	21 1/2"	6"	11 1/2"	6 1/2"
EG-45 & -55	25 1/2"	7"	11 1/2"	6 1/2"
EG-55	29 1/2"	8"	11 1/2"	6 1/2"
EG-75	34"	8"	15 1/2"	8 1/2"

In the interest of continual improvements in product and performance, Weil-McLain reserves the right to change specifications without notice.

FOR OTHER ADDITIONAL BOILER EQUIPMENT AND CONTROLS - SEE SECTION 5

Standard Equipment

Assembled Section Block
Horizontal to Vertical Draft Hood
Combination Gas Valve and Regulator
Firing Valve and Pilot Reg
(EGH-85 to 125)
Intermittent Electronic Pilot
(EGH-85 to 125)

Steam

High-Limit Pressure Control
Steam Pressure Gauge
A.S.M.E. Safety Valve 15 P.S.I.
Gauge Cocks
Gauge Glass
Low Water Cut-Off.67W-1
Operating Pressure Control
(EGH-85 & 95)

Boiler Designations

PIL: Intermittent Electronic
Ignition; Propane Gas; Without
Vent Damper

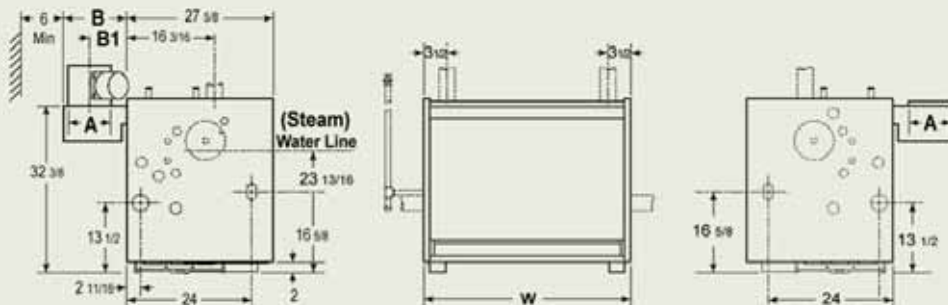
PIN: Intermittent Electronic Pilot;
Natural Gas Only - With or
Without Vent Damper

BOILER NUMBER (1)	CSA INPUT MBH	GROSS OUTPUT MBH	NET AHRI RATINGS		SHP WGT	PART NUMBER (STEAM)
			STEAM MBH	STEAM SQ. FT.		
EGH-85-PIN	315	243	182	760	870	117-084-352
EGH-95-PIN	360	278	208	868	960	117-094-352
EGH-105-PIN	405	312	234	977	1040	117-104-352
EGH-115-PIN	450	347	260	1085	1135	117-114-352
EGH-125-PIN	495	382	286	1193	1215	117-124-352

(1) For elevations between 2,000 and 4,500 ft. above sea level, rating should be reduced by 10% and the boiler should be designated with the prefix "A". Example: (AEGH-85-PIN)

ADDITIONAL BOILER EQUIPMENT

DESCRIPTION	PART NUMBER
Automatic Vent Damper Only - (Nat. Gas only)	
EGH-85-PIN 9 Inch	381-800-445
EGH-95 and 105-PIN 10 Inch	381-800-446
EGH-115 and 125-PIN 12 Inch	381-800-447
EGH-85-95 PIN NAT- LP Conversion Kit	510-811-411
EGH-105-125 PIN NAT- LP Conversion Kit	510-811-412
Tankless Heater Openings (With Cover Plate)	N.P.N
EGH STEAM - Two Tankless Heater	
Opening in place of Standard Sections	"
Tankless Heater (Steam) 35-S-29	386-700-350
150S-MD Lo-Water Cutoff & Pump Control	511-114-526



	W	A	B	B1
EGH-85	38 1/4"	9"	15 3/4"	8 3/4"
EGH-95	42 1/2"	10"	15 3/4"	8 3/4"
EGH-105	46 1/4"	10"	15 3/4"	8 3/4"
EGH-115	51"	12"	15 3/4"	8 3/4"
EGH-125	55 1/4"	12"	15 3/4"	8 3/4"

In the interest of continual improvements in product and performance, Weil-McLain reserves the right to change specifications without notice.

FOR OTHER ADDITIONAL BOILER EQUIPMENT AND CONTROLS - SEE SECTION 5

Ultra Oil

Series 3

WALL MOUNT WATER BOILER



Standard Equipment

Chimney Vented (CV) Package:

- Three-pass Cast Iron Heat Exchanger
- Reversible Swing-away Bruner Door
- Silicone coated Fiberglass Sealing Rope
- Boiler Drain
- 30 PSI ASME Relief Valve
- Hinged Control Pod
- Beckett NX Burner with Exclusive Cover
- "New" Riello CV Burners
- "New" Beckett Std. AFG CV Burner
- Temperature/Pressure Gauge
- Factory-wired Terminal Strips with Labeled Wires
- Hydrolevel 48-3250-21 Electronic Aquastat
- Quick Disconnect Burner Plug
- Barometric Damper
- Circulator (Taco 007)
- Service Switch

Direct Vent (DV) Package:

- Same as Chimney Vented (CV) package plus Beckett NX Oil Burner DV (in lieu of standard NX CV Burner)
- Vent Termination Kit
- 15' Flexible Insulated Vent Pipe
- "New" Riello Direct Vent Burner

BOILER NUMBER	INPUT GPH	DOE HEATING CAPACITY MBH	DOE AFUE %	SHP WGT	BECKETT PART NUMBER			REILLO PART NUMBER	
					CV-S	CV	DV	CV	DV
UO-3E*	1.00	123	87.0%	636	169-031-199	169-031-202	169-031-203	169-031-208	169-031-209
UO-4E	1.20	148	87.0%	737	169-031-200	169-031-204	169-031-205	169-031-210	169-031-211
UO-5E	1.40	173	87.0%	852	169-031-201	169-031-206	169-031-207	169-031-212	169-031-213

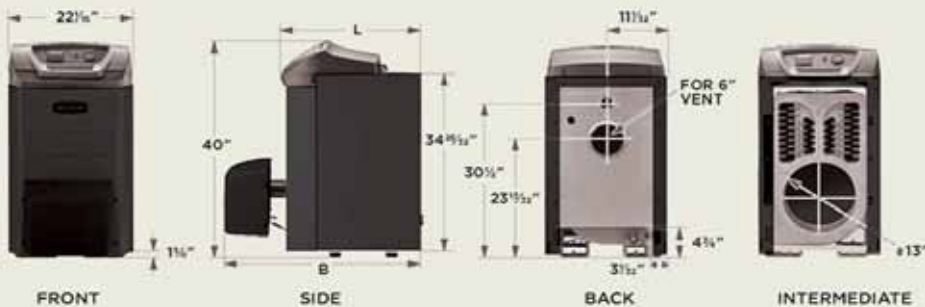
* 0.80 GPH Firing Rate Kit is required to convert UO-3 from 1.0 GPH to 0.80 GPH -

Part Number 386-902-007

Meets Energy Star Guidelines

ADDITIONAL BOILER EQUIPMENT

DESCRIPTION	PART NUMBER
Outdoor Sensor	383-500-126
Universal Sensor (2 included in AFM Kit)	650-000-095
50 P.S.I Relief Valve Available Upon Request	N.P.N.



In the interest of continual improvements in product and performance, Weil-McLain reserves the right to change specifications without notice.

FOR OTHER ADDITIONAL BOILER EQUIPMENT AND CONTROLS - SEE SECTION 5

WGO

Series 4

HIGH EFFICIENCY OIL BOILER



Note: All Boilers with RD Kits meet Energy Star Guidelines

BOILER NUMBER	INPUT GPH	AHRI HEATING CAPACITY MBH	DOE AFUE %	SHP WGT	PART NUMBER	
					w/ Beckett	w/ Riello
P-WGO-2	0.70	86	86.4%	540	100-400-395	100-400-350
P-WGO-3R	0.80	98	86.2%	595	100-400-396	100-400-351
P-WGO-4R	1.00	122	86.2%	645	100-400-397	100-400-352
P-WGO-5R	1.20	147	86.1%	760	100-400-398	100-400-353
P-WGO-6R	1.40	171	86.1%	860	100-400-399	100-400-354
B-WGO-7	1.60	196	86.0%	930	100-400-400	100-400-359
B-WGO-8	2.30	266	N.A.	1,030	100-400-401	100-400-360
B-WGO-9	2.55	295	N.A.	1,135	100-400-402	100-400-361

Substitute "T" when Tankless Heaters are required, and add additional price.

Net Ratings are based on the piping and pick-up allowance of 1.15. An additional allowance should be made for unusual piping and pick up loads.

* GO6 & GO 7 is not D.O.E Compliant with Riello Burners

Standard Equipment

P-WGO-2 Through P-WGO-6:

- Water Trim Shipped Loose
- Burner
- Convertible Flue (Top or Rear)
- 3 Piece Combustion Chamber
- Full Swing-Away Burner Door
- Service Switch Mounted on Junction Box
- Tridicator
- Combination High Limit and Circ. Relay
- Drain Cock
- Balanced Draft Damper
- 30 P.S.I. Relief Valve

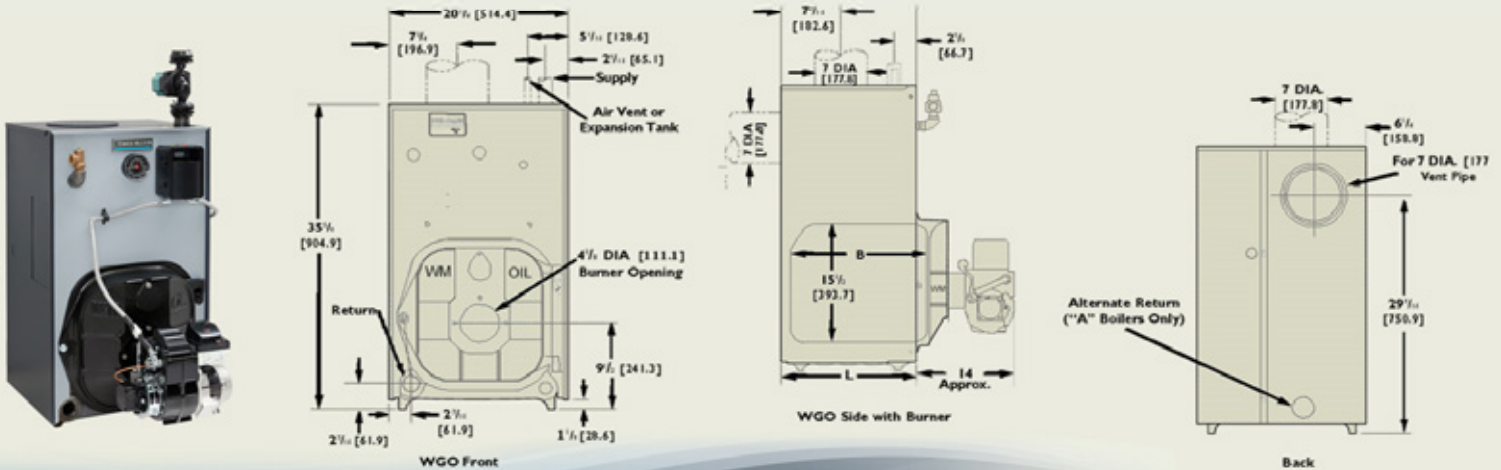
B-WGO-7 Through B-WGO-9:

- Same as WGO-2 through WGO-6 except
- Section Assembly Only
- Collector Hood

OPTIONAL BOILER EQUIPMENT

DESCRIPTION	PART NUMBER
50 P.S.I Relief Valve Available Upon Request	N.P.N
Tankless Heater WT-14 (Size 3 - 6)	590-921-612
Tankless Heater WT-20 (Size 7 - 9)	590-921-610
Flue Brush	591-706-214
Side Wall Venter Kit (SSI-W)	510-312-274
Vent Damper Kit WGO 2RD	381-800-501
Vent Damper Kit WGO/WTGO 3RD	381-800-502
Vent Damper Kit WGO/WTGO 4RD	381-800-503
Vent Damper Kit WGO/WTGO 5RD	381-800-504
Vent Damper Kit WGO/WTGO 6RD	381-800-505
Vent Damper Kit WGO/WTGO 7RD	381-800-506
Outdoor Sensor	383-500-126
Hi-Input Kit	381-800-515

DIMENSIONS - in.		
BOILER MODEL NUMBER	B	L
WGO-2	10 1/2	13 1/2
WGO-3	13 1/2	16 1/2
WGO-4	13 1/2	16 1/2
WGO-5	16 1/2	20
WGO-6	20	23 1/2
WGO-7	23 1/2	26 1/2
WGO-8	26 1/2	29 1/2
WGO-9	29 1/2	32 1/2



In the interest of continual improvements in product and performance, Weil-McLain reserves the right to change specifications without notice.

FOR OTHER ADDITIONAL BOILER EQUIPMENT AND CONTROLS - SEE SECTION 5

REFER TO TERMS & CONDITIONS FORM ON PAGE 7-7

ALL TAXES EXTRA

Effective: July 2nd, 2024

PAGE 3-2

Standard Equipment

B-SGO-2 Through B-SGO-6:
 Section Assembly with Insulated Jacket
 Burner
 Three Piece Fibrous Refractory
 Combustion Chamber
 Heater Cover Plate and Gasket
 Full Swing-Away Burner Door
 Convertible Flue (Top or Rear)
 Low Water Cut-Off
 Drain Cock
 Steam Trim Consisting of:
 Steam Gauge
 Gauge Cocks
 Water Gauge Glass
 A.S.M.E. Safety Valve - 15 P.S.I.
 High Limit Pressure Control
 Balanced Draft Damper
 Service Switch Mounted on Junction Box

B-SGO-7 Through B-SGO-9:
 Same as SGO-2 through SGO-6 except;

Section Assembly
 Collector Hood
 Insulated Jacket

BOILER NUMBER	INPUT GPH	DOE HEATING CAPACITY MBH	NET I.B.R. RATING STEAM MBH (1) (2)	SHIPPING WEIGHT	PART NUMBER	
					w/ Beckett	w/ Riello
B-SGO-3	.95	114	85	600	100-000-410	100-000-365
B-SGO-4	1.20	144	108	705	100-000-411	100-000-366
B-SGO-5	1.45	174	131	820	100-000-412	100-000-367
B-SGO-6	1.75	210	158	920	100-000-413	100-000-368
B-SGO-7	2.00	240	182	990	100-000-414	100-000-369
B-SGO-8	2.30	266	200	1,090	100-000-415	100-000-370
B-SGO-9	2.55	295	221	1,195	100-000-416	100-000-371

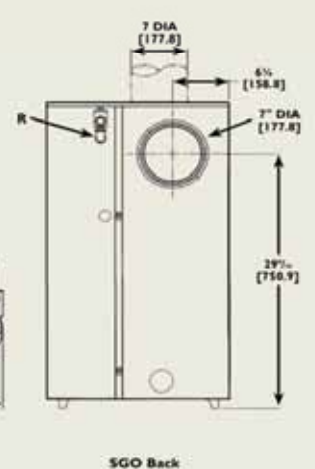
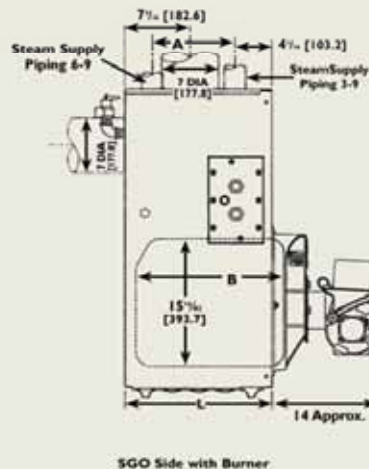
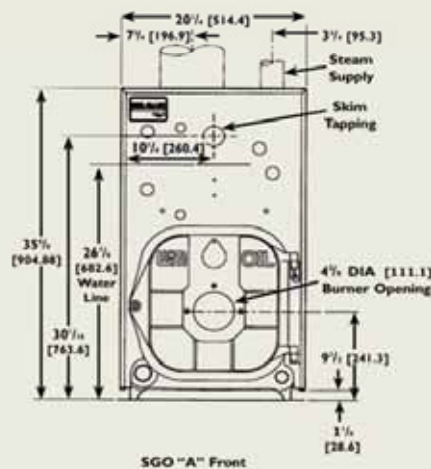
(1) Net Ratings are based on the piping and pick-up allowance of 1.333. An additional allowance should be made for pick up loads.

(2) I-B-R Gross Output.

ADDITIONAL BOILER EQUIPMENT

DESCRIPTION	PART NUMBER
Flue Brush	591-706-214
Side Wall Venter Kit (SSI-W)	510-312-274
Tankless Heater 35-S-29	386-700-350

DIMENSIONS - in.			
BOILER MODEL NUMBER	A	B	L
SGO-3	—	13 1/2	16 1/2
SGO-4	—	16 1/2	20
SGO-5	—	19 1/2	22 1/2
SGO-6	19	23 1/2	26 1/2
SGO-7	22 1/2	26 1/2	29 1/2
SGO-8	25 1/2	29 1/2	32 1/2
SGO-9	28 1/2	32 1/2	35 1/2



In the interest of continual improvements in product and performance, Weil-McLain reserves the right to change specifications without notice.

Standard Equipment

Cast Iron Sections
 Aluminized Steel Collector Hood(s) and Draft Hood(s)
 Control Transformer-120/24 Volt Junction Box
 Factory-Packaged Burner-Base Assembly Gas Distribution Manifolds
 Aluminized Steel Base Panels
 High-Temperature Insulation Board Panels
 High Gas Pressure Switch (LGB-21 through LGB-23 only)
 Wiring Harness - Junction Box and Prewired Flexible Conduit
 Flame Guardian® UCS Flame Rectification

Electronic Control System for Each Base Assembly: Prewired Control Module with Terminal Block and Two Ignition Control Modules with Integral Spark Generators, Intermittent Electronic Ignition Pilot System, Electronically Supervised Safety Pilot Burner with Combination Ignition Electrode and Flame Rod, Main Flame Sensor Rod, Ignition/Sensor Cable

Water:

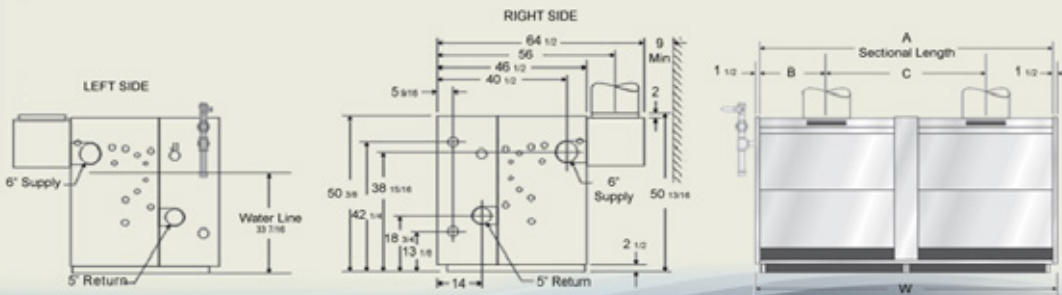
Combination Operating and High Limit Temperature Control (for LGB-6 through 20 only)
 Operating Temperature Control (LGB-21 through 23 only)
 High Limit Temperature Control (LGB-21 through 23 only)
 Combination Pressure/Temperature Gauge 30 P.S.I. ASME Relief Valve-Side Outlet
 Built-in Air Eliminator in End Sections
 80 PSI Relief Available

Steam:

Operating Pressure Control
 High Limit Pressure Control
 Compound Pressure-Vacuum Gauge
 Gauge Cocks, Glass, and Guards
 15 P.S.I. ASME Relief Valve-Side Outlet
 Float Type Low-Water Cutoff, No.61
 Wiring Harness-Junction Box and Prewired Flexible Conduit

BOILER NUMBER (1)(2)(3)	CSA INPUT MBH	GROSS OUTPUT MBH	AHRI CERTIFIED RATINGS			VENT CHIM DIA. (7)	SHP WGT	PART NUMBER	
			STEAM MBH (4)	STEAM SQ. FT.	WATER MBH (6)			WATER	STEAM
LGB - 4	400	324	234	1013	280	10	1,185	133-041-306	133-044-307
LGB - 5	520	421.2	307	1317	364	12	1,455	133-051-306	133-054-307
LGB - 6	650	526.5	386	1646	455	12	1,725	133-061-306	133-064-306
LGB - 7	780	631.8	464	1975	546	12	2,005	133-071-306	133-074-306
LGB - 8	910	737.1	543	2304	641	14	2,290	133-081-306	133-084-306
LGB - 9	1,040	842.4	622	2633	733	14	2,560	133-091-306	133-094-306
LGB - 10	1,170	947.7	701	2963	826	16	2,800	133-101-306	133-104-306
LGB - 11	1,300	1,053.00	779	3292	919	16	3,105	133-111-306	133-114-306
LGB - 12	1,430	1,158.30	858	3621	1013	16	3,365	133-121-306	133-124-306
LGB - 13	1,560	1,263.60	929	3954	1107	16	3,785	133-131-306	133-134-306
LGB - 14	1,690	1,368.90	1015	4313	1201	16	4,085	133-141-306	133-144-306
LGB - 15	1,820	1,474.20	1102	4679	1295	16	4,355	133-151-306	133-154-306
LGB - 16	1,950	1,579.50	1188	5046	1389	17	4,725	133-161-306	133-164-306
LGB - 17	2,080	1,684.80	1276	5408	1485	17	4,975	133-171-306	133-174-306
LGB - 18	2,210	1,790.10	1364	5775	1580	18	5,270	133-181-306	133-184-306
LGB - 19	2,340	1,895.40	1448	6125	1675	18	5,540	133-191-306	133-194-306
LGB - 20	2,470	2,000.70	1533	6471	1770	19	5,820	133-201-306	133-204-306
LGB - 21	2,600	2,106.00	1613	6813	1919	19	6,080	133-211-306	133-214-306
LGB - 22	2,730	2,211.30	1696	7154	2016	19	6,365	133-221-306	133-224-306
LGB - 23	2,860	2,316.60	1776	7496	2111	20	6,625	133-231-306	133-234-306

- For elevations between 2,000 and 4,500 ft above sea level, rating should be reduced by 10% and boiler should be designated with a prefix "A". Example: (ALGB-6-W)
- Propane fired boilers should be designated with suffix "P". Example: (LGBP-6-W)
- Insert S (for steam), W (for water)
- Net IBR steam ratings are based on the following piping and pick-up allowance(s)
 LGB-6 through LGB-12 - 1.333 LGB-13 - 1.332 LGB-14 - 1.322 LGB-15 - 1.312 LGB-16 - 1.304
 LGB-17 - 1.297 LGB-18 - 1.292 LGB-19 - 1.289 LGB-20 through LGB-23 - 1.288
- List prices based upon an available natural gas supply pressure of at least 5.0 inches water column at the inlet to the boiler gas control components. For other gas pressures consult Customer Services Department.
- Net IBR water ratings are based on piping and pick-up allowance - all sizes - 1.15
- Twenty foot (20') chimney height may be used based on using a six foot (6') length of connector or breeching of the size shown from the nearest draft hood outlet to the chimney or vent with not more than one (1) standard sloping-type 90° elbow. If individual vertical vents are to be employed each vent diameter should be the same size as in the respective draft hood outlet and the height may be reduced to five feet (5') measured above the draft hood outlet.



In the interest of continual improvements in product and performance, Weil-McLain reserves the right to change specifications without notice.

Boiler Model Number	Dimensions in Inches			
	A	B	C	W
LGB-4	19	9	--	21
LGB-5	23	11 1/2	--	26
LGB-6	29	14	--	31
LGB-7	35	16 1/2	--	36
LGB-8	36	19	--	41
LGB-9	43	21 1/4	--	46
LGB-10	46	24	--	51
LGB-11	53	26 1/2	--	56
LGB-12	58	29	--	61
LGB-13	63	16 1/2	30	66
LGB-14	66	19	32 1/2	71
LGB-15	75	19	35	76
LGB-16	76	21 1/8	37 1/8	81
LGB-17	85	21 1/8	40	86
LGB-18	89	24	42 1/8	91
LGB-19	93	24	45	96
LGB-20	96	25 1/4	47 1/4	101
LGB-21	103	26 1/8	50	106
LGB-22	108	29	52 1/8	111
LGB-23	113	29	55	116

LGB Series - Control Panels

Guarded Status Panel (Required in certain Provinces where applicable by code)

DESCRIPTION
GSP-S Steam Only for models LGB-11-S or LGB-12-S
GSP-S Steam Only for models LGB-13-S through LGB-23-S

ADDITIONAL BOILER EQUIPMENT

DESCRIPTION	MODEL
Propane Adder For LGB Boiler	LGB-4 through LGB-12 LGB-13 through LGB-23
Factory assembled sections	LGB-6 through LGB-23
Stage firing or Low-High-Low firing	N.P.N
Stage firing : Hot Water (L4006A1017)	510-312-043
Stage firing : Steam (PA404A1009)	510-310-135
150S-MD Lo-Water Cutoff & Pump Control	511-114-526



NOTE: Ontario Steam Boilers with 30 H.P. & Up Require Guarded Plant. Manitoba Steam Boilers 50 H.P. & Up May Require Special Guarded Plant. Consult Customer Service.

NOTE: GSP-W Control Panels Are Available For Hot Water Boilers. Standard Lights Include Burner On, Flame Failure, Hi-Temp & Low Water. Alarm Buzzer with Silencer. Dry Contact for Remote Alarm. Push to Test & Reset Buttons.

NOTE: Special Control Panels are available for both Water/ Steam Boiler applications. Call Customer Service for Pricing.

In the interest of continual improvements in product and performance, Weil-McLain reserves the right to change specifications without notice.

H-80

Series 1

FORCED DRAFT BOILER



Note: Cast Iron Sections with Boiler Jacket & Assembly Components only. Shipped Knocked down.

Standard Equipment

Cast Iron Sections
 Insulated Flush Jacket
 Observation Port on Front and Back Sections
 Steel Flue Collar and Breaching Damper
 Flue Brush
 Cleanout Plates
 Refractory Blanket and Target Wall in Combustion Area

Steam Boiler:

15 PSI ASME Relief Valve - Side Outlet
 Low Limit and High Limit Pressure Controls
 Steam Pressure Gauge
 Gauge Glass, Cocks & Guards

Water Boiler:

30 PSI ASME Relief Valve
 (Boilers tested for 80 PSI Working Pressure)
 Combination High Limit and Low Limit Control
 Combination Pressure/Temp/Altitude Gauge
 Built-In Air Eliminator

Less Power Burner and Mounting Plate

BOILER NUMBER (1)(2)	AHRI			AHRI Net Rating			INDUCED DRAFT VENT DIAMETER	BOILER HP	SHIPPING WEIGHT
	OIL INPUT GPH	GAS INPUT MBH	GROSS OUTPUT MBH	STEAM MBH	STEAM SQ. FT.	WATER MBH			
H-380	2.4	346	278	208	867	242	6	8.3	1355
H-480	3.4	491	396	297	1,238	344	7	11.8	1615
H-580	4.5	639	515	386	1,608	448	8	15.4	1875
H-680	5.5	787	634	476	1,983	551	8	18.9	2130
H-780	6.5	935	753	565	2,354	655	9	22.5	2390
H-880	7.5	1,082	872	654	2,725	758	10	26.0	2650
H-980	8.5	1,230	991	743	3,096	862	10	29.6	2910
H-1080	9.6	1,378	1,110	833	3,471	965	10	33.2	3165
H-1180	10.6	1,526	1,229	922	3,842	1,069	10	36.7	3425
H-1280	11.6	1,674	1,348	1,018	4,242	1,172	12	40.3	3680

In the interest of continual improvements in product and performance, Weil-McLain reserves the right to change specifications without notice.

FOR OTHER ADDITIONAL BOILER EQUIPMENT AND CONTROLS - SEE SECTION 5

80 Series 1

FORCED DRAFT BOILER

Standard Equipment

Cast Iron Sections
 Flame Retention Burner
 Burner Mounting Plate with refractory
 Flue Collar with built-in breeching damper
 Observation Port Front and Back Section
 Cleanout Plates
 Top or Rear Outlet (please specify)
 Flue Brush

Steam Boiler:
 A.S.M.E. Safety Valve 15 P.S.I.
 Low and High Limit Control
 Steam Gauge
 Gauge Glass
 Gauge Glass Cocks
 Gauge Guards
 Low Water Cut-Off

Water Boiler:
 A.S.M.E. Relief Valve 30 P. S. I.
 Dual High Limit and Operating Control
 Combination pressure-temperature Gauge
 Built-in air eliminator

BOILER NUMBER (1)(2)	CSA INPUT		IBR GROSS OUTPUT MBH (3)	IBR NET RATING (4)			WATER NET SQ. FT. (5)	BOILER HP	IBR CHIMNEY SIZE VENT DIA. INCHES	SHP WGT
	LIGHT OIL GPH	GAS MBH		STEAM SQ. FT.	STEAM MBH	WATER MBH				
380	2.40	346	278	867	208	242	1,615	8.3	8	1058
480	3.40	491	396	1,238	297	344	2,293	11.8	8	1203
580	4.45	639	515	1,608	386	448	2,987	15.4	8	1448
680	5.50	787	634	1,983	476	551	3,673	18.9	8	1843
780	6.50	935	753	2,354	565	655	4,367	22.5	10	2088
880	7.50	1,082	872	2,725	654	758	5,053	26	10	2317
980	8.50	1,230	991	3,096	743	862	5,747	29.6	10	2678
1080	9.60	1,378	1,110	3,471	833	965	6,433	33.2	10	2923
1180	10.60	1,526	1,229	3,842	922	1,069	7,127	36.7	10	3068
1280	11.60	1,674	1,348	4,242	1,018	1,172	7,813	40.3	12	3313

- (1) Insert 'BL' for light oil, 'BGL' for combination gas-light oil, 'BG' for gas.
- (2) Insert 'W' for water, or 'S' for steam.
- (3) Gross I-B-R ratings have been determined under the I-B-R provision governing forced draft boiler-burner units.
- (4) Net I-B-R- Ratings are based on net installed radiation of sufficient quantity for the requirements of the building and nothing need be added for normal piping and pick-up. Water ratings are based on a piping and pick-up allowance of 1.15. Steam ratings are based on the following allowances: 380 thru 1180 - 1.333; 1280 - 1.321
 An additional allowance should be made for gravity hot water systems or for unusual piping and pick-up loads.
- (5) Based on average water temperature of 170oF in radiators.

In the interest of continual improvements in product and performance, Weil-McLain reserves the right to change specifications without notice.

FOR OTHER ADDITIONAL BOILER EQUIPMENT AND CONTROLS - SEE SECTION 5

80 Series 1

FORCED DRAFT BOILER

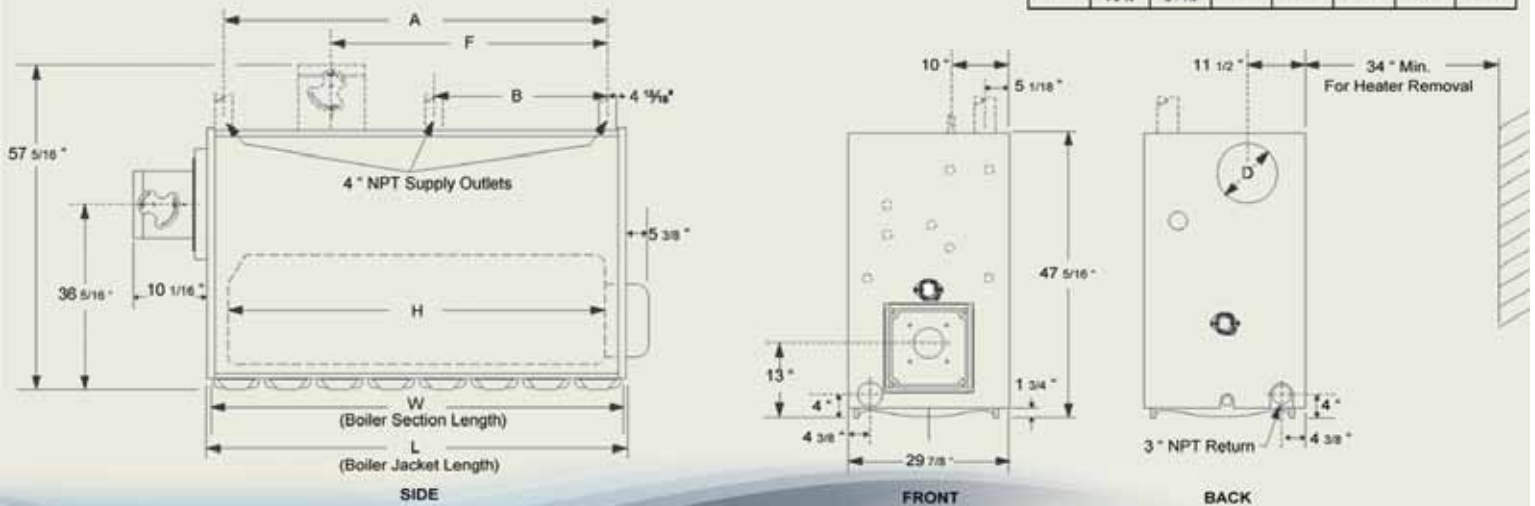
OPTIONAL EQUIPMENT ON ALL BURNERS

DESCRIPTION
LIGHTS (NON ALARM FUNCTION) 7-1280 Oil Burners (must add Control Cabinet) 3-1280 Gas and Gas/ Oil Burners, Power On & Fuel On light standard
LIGHTS (ALARM FUNCTION) S.P.S.T. Relay for alarm function add light above and 3" Alarm Bell mounted and wired on burner PROPANE GAS (RM7897 C/ UV Control In Place of STD. Control)

ADDITIONAL BOILER EQUIPMENT

DESCRIPTION	PART NUMBER
80 P.S.I. Water Boilers upon request	N.P.N.
Tankless Heater Openings (With Cover Plate)	N.P.N.
80T Intermediate Section in place of Standard Section	N.P.N.
Tankless Heater 78-34	590-921-917
Factory Assembled Sections (Insert "FA", eg' FA680c-W)	N.P.N.

Boiler model number	Dimensions (inches)						
	A	B	D	F	H	W	L
380	13 1/4	--	8	12 3/4	13 1/2	20 1/2	21 1/4
480	20 1/4	--	8	13 1/4	20 1/2	27 1/2	28 1/4
580	27 1/4	--	8	13 1/4	27 1/2	34 1/2	35 1/4
680	34 1/4	--	8	13 1/4	34 1/2	41 1/2	42 1/4
780	41 1/4	--	10	27 1/4	41 1/2	48 1/2	49 1/4
880	48 1/4	--	10	27 1/4	48 1/2	55 1/2	56 1/4
980	55 1/4	--	10	41 1/4	55 1/2	62 1/2	63 1/4
1080	62 1/4	27 1/4	10	41 1/4	62 1/2	69 1/2	70 1/4
1180	69 1/4	34 1/4	10	55 1/4	69 1/2	76 1/2	77 1/4
1280	76 1/4	34 1/4	12	55 1/4	76 1/2	83 1/2	84 1/4



In the interest of continual improvements in product and performance, Weil-McLain reserves the right to change specifications without notice.

FOR OTHER ADDITIONAL BOILER EQUIPMENT AND CONTROLS - SEE SECTION 5

80 Series - Burners

OIL BURNER	OIL		MOTOR CURRENT			BURNER CONTROLS				FIRING OPERATION		CONTROL CABINET
	MODEL	MOTOR HP	115-60-1	230-60-1 (1)	3 PHASE (2)	PRIMARY CONTROL W/ PREPURGE	CAD CELL PRE/POST PURGE	RM7890A PHOTO CELL	RM7896C	LO FIRE	L-H-L (3)	
380	F10	1/8	STD.	N.A.	N.A.	STD.	N.A.	N.A.	N.A.	N.A.	N.A.	N.A.
4-680	F20	1/4	STD.	N.A.	N.A.	STD.	N.A.	N.A.	N.A.	STD.	N.A.	N.A.
7-1180	702CRD	1/2	STD.	N.C.		N.A.	STD.			STD.	STD.	
1280	801CRD	3/4	N.C.	STD.		N.A.	STD.			STD.	STD.	

Approved Burners are Beckett, Carlin, Powerflame, and Riello. Consult Customer Services for additional Burner pricing.

- NOTE:**
- 115-60-1 control current must be available for all units.
 - 208-60-3, 240-60-3, 480-60-3, 575-60-3 available. Specify on order.
 - 510-312-043 L4006A1017 (Water); 510-312-135 PA404A1009 (Steam)

GAS BURNER	GAS		MOTOR CURRENT			BURNER CONTROLS		FIRING OPERATION			CONTROL CABINET 15 1/2" X 17"
	MODEL	MOTOR HP	115-60-1	230-60-1	3 PHASE (1) (2)	RM7895A FRE	RM7840L U.V.	PROVEN LO FIRE START	L-H-L (3)	MOD (4)	
3-480	JR15A-10	1/4	STD.			STD.			N/A	N/A	STD.
580	JR15A-10	1/4	STD.			STD.					STD.
6-780	JR30A-10	1/3	STD.			STD.					STD.
880	JR30A-12	1/3	STD.			STD.					STD.
9-1180	JR50A-15	1/3	STD.			STD.					STD.
1280	JR50A-15	1/3	STD.			STD.		STD.			STD.

Approved Burners are Powerflame and Riello. Consult Customer Services for additional Burner pricing.

- NOTE:**
- Control circuit transformer included with 3 phase motor only.
 - 208-60-3, 240-60-3, 480-60-3, 575-60-3 available. Specify on order.
 - 510-312-043 L4006A1017 (Water); 510-312-135 PA404A1009 (Steam)
 - Modulating Control Not Included

GAS/OIL BURNER	GAS/OIL (4)		MOTOR CURRENT			BURNER CONTROLS		FIRING OPERATION			CONTROL CABINET 15 1/2" X 17"
	MODEL	MOTOR HP	115-60-1	230-60-1	3 PHASE (1) (2)	RM7895C U.V.	RM7840L U.V.	PROVEN LO FIRE START	L-H-L (3)	MOD (5)	
380	N.A.	N.A.	N.A.	N.A.	N.A.	N.A.	N.A.	N.A.	N.A.	N.A.	N.A.
480	CR1-10	1/3	STD.			STD.		N.A.	N.A.	N.A.	STD.
5-680	CR1-10	1/3	STD.			STD.					STD.
7-1080	CR1-12	1/2	STD.			STD.					STD.
11-1280	CR2-15	3/4	N.C.	STD.		STD.					STD.

An additional allowance should be made for gravity hot water systems or for unusual piping and pick-up loads.

- NOTE:**
- Control circuit transformer included with 3 phase motor only.
 - 208-60-3, 240-60-3, 480-60-3, 575-60-3 available. Specify on order.
 - 510-312-043 L4006A1017 (Water); 510-312-135 PA404A1009 (Steam)
 - Fuel Ignition - Proven Gas Pilot for Gas - Direct Spark for Oil
 - Modulating Control Not Included

In the interest of continual improvements in product and performance, Weil-McLain reserves the right to change specifications without notice.

H-88

Series 2

FORCED DRAFT BOILER



Note: Cast Iron Sections with Boiler Jacket & Assembly Components only. Shipped Knocked down.

Standard Equipment

Cast Iron Sections
 Insulated Flush Jacket
 Flue Collar with Built-in Breeching Damper
 Observation Port on Front and Back Sections
 Cleanout Plates
 Flue Brush

Steam Boiler:
 15 PSI ASME Relief Valve - Side Outlet
 Low Limit and High Limit Pressure Controls
 Steam Pressure Gauge
 Gauge Glass, Cocks & Guards

Water Boiler:
 30 PSI ASME Relief Valve
 (Boilers tested for 80 PSI Working Pressure)
 Combination Manual Reset High Limit and Low Limit Control
 Combination Pressure/Temp/Altitude Gauge
 Nipple and 5" x 6" Reducing Coupling
 (1288-1888 Only)
 Built-In Air Eliminator

Less Power Burner and Mounting Plate

BOILER NUMBER	AHRI			AHRI NET RATING			BOILER H.P.	VENT CONNECT SIZE DIA.	SHIPPING WEIGHT
	OIL INPUT GPH	GAS INPUT MBH	GROSS OUTPUT MBH	STEAM MBH	STEAM SQ. FEET	WATER MBH			
H-488	7.0	1010	839	629	2623	730	25.1	10	2648
H-588	9.4	1356	1126	845	3520	979	33.6	10	3210
H-688	11.8	1701	1413	1072	4467	1229	42.2	10	3772
H-788	14.2	2046	1700	1311	5463	1478	50.8	12	4334
H-888	16.7	2382	1987	1543	6428	1728	59.4	12	4896
H-988	18.8	2737	2274	1766	7356	1977	67.9	14	5456
H-1088	21.4	3082	2561	1988	8285	2227	76.5	14	6020
H-1188	23.8	3428	2848	2211	9213	2477	85.1	14	6582
H-1288	26.2	3773	3135	2434	10142	2726	93.7	14	7144
H-1388	28.6	4119	3422	2657	11070	2976	102.2	14	7706
H-1488	31.0	4464	3709	2880	11999	3225	110.8	16	8268
H-1588	33.4	4809	3996	3102	12927	3475	119.4	16	8830
H-1688	35.8	5155	4283	3325	13855	3724	127.9	16	9392
H-1788	38.2	5494	4570	3548	14784	3974	136.5	18	9954
H-1888	40.6	5845	4857	3771	15712	4223	145.1	18	10516

In the interest of continual improvements in product and performance, Weil-McLain reserves the right to change specifications without notice.

FOR OTHER ADDITIONAL BOILER EQUIPMENT AND CONTROLS - SEE SECTION 5

88

Series 2

FORCED DRAFT BOILER

Standard Equipment

Cast Iron Sections
 Flame Retention Burner
 Burner Mounting Plate with refractory
 Flue Collar with built-in breeching damper
 Observation Port
 Cleanout Plates

Water:
 A.S.M.E. Relief Valve 30 P.S.I.
 Dual High Limit and Operating Control

Combination pressure-temperature Gauge
 Built-in air eliminator
 Nipple and 5" and 6" reducing coupling
 (1288 - 1888 only)

Steam:
 A.S.M.E. Safety Valve 15 P.S.I.
 Low and High Limit Control
 Steam Gauge
 Gauge Glass
 Gauge Glass Cocks
 Gauge Guards
 Low Water Cut-Off

BOILER NUMBER	BURNER INPUT		I-B-R GROSS OUTPUT MBH (3)	IBR NET RATING (4)			WATER NET SQ. FT. (5)	BOILER H.P.	IBR CHIMNEY SIZE VENT DIA. INCHES	SHP WGT
	LIGHT OIL GPH	GAS MBH		STEAM SQ. FT.	STEAM MBH	WATER MBH				
488	7.0	1,010	839.0	2,621	629.0	730.0	4,867	25.1	10	2860
588	9.4	1,356	1,126.0	3,521	845.0	979.0	6,527	33.6	10	3340
688	11.8	1,701	1,413.0	4,469	1,072.0	1,229.0	8,193	42.2	10	3820
788	14.2	2,046	1,700.0	5,463	1,311.0	1,478.0	9,853	50.8	12	4345
888	16.6	2,382	1,987.0	6,427	1,543.0	1,728.0	11,520	59.4	12	4925
988	18.8	2,737	2,274.0	7,358	1,766.0	1,977.0	13,180	67.9	14	5600
1088	21.5	3,082	2,561.0	8,283	1,988.0	2,227.0	14,847	76.5	14	6130
1188	23.5	3,428	2,848.0	9,213	2,211.0	2,477.0	16,513	85.1	14	6695
1288	26.0	3,773	3,135.0	10,147	2,434.0	2,726.0	18,173	93.7	14	7260
1388	28.5	4,119	3,422.0	11,071	2,657.0	2,976.0	19,840	102.2	14	7890
1488	31.0	4,464	3,709.0	12,000	2,880.0	3,225.0	21,500	110.8	16	8410
1588	33.0	4,809	3,996.0	12,925	3,102.0	3,475.0	23,167	119.4	16	9005
1688	35.5	5,155	4,283.0	13,854	3,325.0	3,724.0	24,827	127.9	16	9525
1788	38.0	5,494	4,570.0	14,783	3,548.0	3,974.0	26,493	136.5	18	9780
1888	40.5	5,845	4,857.0	15,713	3,771.0	4,123.0	27,487	145.1	18	10775

- (1) Insert 'BL' for light oil, 'BG' For Gas, 'BGL' for combination gas-light oil.
- (2) Insert 'W' for water, or 'S' for steam.
- (3) Gross I-B-R ratings have been determined under the I-B-R provision governing forced draft boiler-burner units.
- (4) Net I-B-R- Ratings are based on net installed radiation of sufficient quantity for the requirements of the building and nothing need be added for normal piping and pick-up. Water ratings are based on a piping and pick-up allowance of 1.15. Steam ratings are based on the following allowances: 488 thru 588 - 1.333; 688 - 1.323; 788 - 1.300; 888 - 1.289; 988 thru 1888 - 1.288. An additional allowance should be made for gravity hot water systems or for unusual piping and pick-up loads.
- (5) Based on average water temperature of 170 °F in radiators.

In the interest of continual improvements in product and performance, Weil-McLain reserves the right to change specifications without notice.

FOR OTHER ADDITIONAL BOILER EQUIPMENT AND CONTROLS - SEE SECTION 5

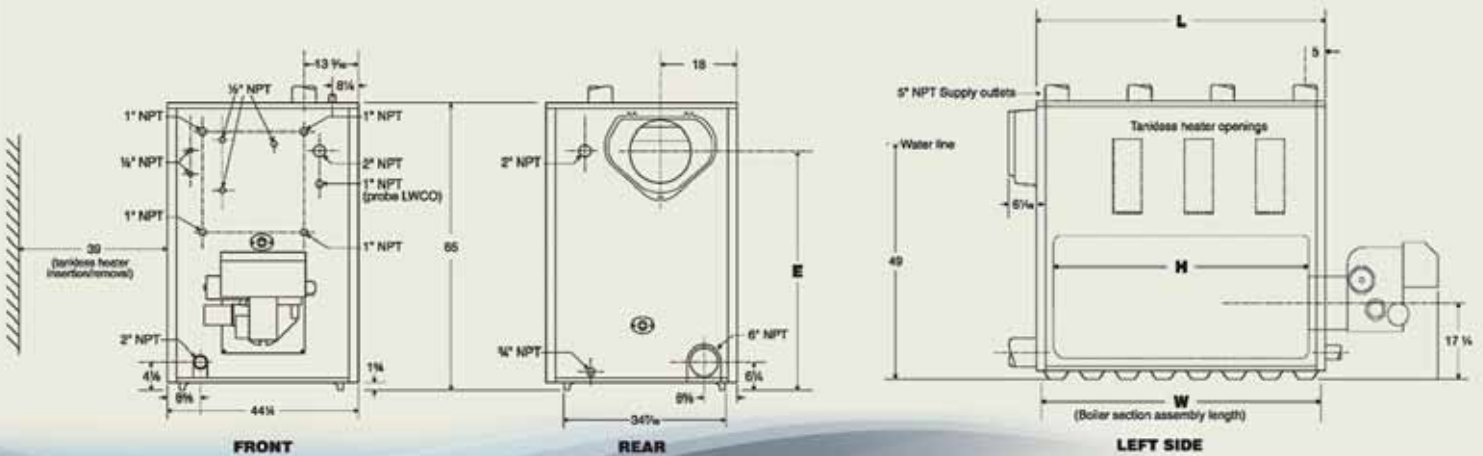
OPTIONAL EQUIPMENT ON ALL BURNERS

DESCRIPTION
LIGHTS (NON ALARM FUNCTION)
7-1280 Oil Burners (must add Control Cabinet)
3-1280 Gas and Gas/ Oil Burners, Power On & Fuel On light standard
LIGHTS (ALARM FUNCTION)
S.P.S.T. Relay for alarm function add light above and
3" Alarm Bell mounted and wired on burner
PROPANE GAS (RM7895A/ UV Control In Place of STD. Control)

ADDITIONAL BOILER EQUIPMENT

DESCRIPTION	PART NUMBER
50 P.S.I. Water Boilers upon request	N.P.N.
80 P.S.I. Water Boilers	N.P.N.
Tankless Heater 820	590-921-909
Tankless Intermediate Section (With Cover Plate) in lieu of standard intermediate Section	N.P.N.
Factory Assembled Sections (Insert "FA", eg' FA688-W)	N.P.N.

Dimensions (Inches)				
Model	E	L	W	H
488	54 1/2	34 1/2	30	23 1/2
588	54 1/2	42 1/2	38	31 1/2
688	54 1/2	50 1/2	46	39 1/2
788	53 1/2	58 1/2	54	47 1/2
888	53 1/2	66 1/2	62	55 1/2
988	52 1/2	74 1/2	70	63 1/2
1088	52 1/2	82 1/2	78	71 1/2
1188	52 1/2	90 1/2	86	79 1/2
1288	52 1/2	98 1/2	94	87 1/2
1388	52 1/2	106 1/2	102	95 1/2
1488	51 1/2	114 1/2	110	103 1/2
1588	51 1/2	122 1/2	118	111 1/2
1688	51 1/2	130 1/2	126	119 1/2
1788	51 1/2	138 1/2	134	127 1/2
1888	51 1/2	146 1/2	142	135 1/2



In the interest of continual improvements in product and performance, Weil-McLain reserves the right to change specifications without notice.



88 Series 2 - Burners

OIL BURNER	OIL		MOTOR CURRENT			BURNER CONTROLS			FIRING OPERATION			CONTROL CABINET
	MODEL	MOTOR HP	115-60-1	230-60-1 (1)	3 PHASE (2)	CAD CELL PRE/ POST PURGE	RM7895A PHOTO CELL	RM7890A PHOTO CELL	LO FIRE	L-H-L (3)	MOD (4)	
4-588	702CRD	1/2	STD.			STD.		N.A.	STD.	STD.	N.A.	
6-888	801CRD	3/4	N.C.	STD.		STD.		N.A.	STD.	STD.	N.A.	
9-1088	1050FFD	1	N.C.	STD.		N.A.	STD.	N.A.	STD.	STD.	N.A.	
11-1488	1150FFD	1-1/2	N.A.	STD.		N.A.	STD.	N.A.	STD.	STD.	N.A.	N.A.
15-1688	CR3-OB	3	N.A.	N.A.	STD.	N.A.	N.A.	STD.	STD.	N.C.		N.A.
17-1888	CR4-OA	5	N.A.	N.A.	STD.	N.A.	N.A.	STD.	STD.	N.C.		N.A.

Approved Burners are Carlin, Powerflame, Beckett & Riello Consult Customer Services for additional Burner pricing.

- NOTE:**
- 115-60-1 control current must be available for all units.
 - 208-60-3, 240-60-3, 480-60-3, 575-60-3 available. Specify on order.
 - 510-312-043 L4006A1017 (Water) ; 510-312-135 PA404A1009 (Steam)
 - Modulating Control Not Included

GAS BURNER	GAS		MOTOR CURRENT			BURNER CONTROLS		FIRING OPERATION			CONTROL CABINET
	MODEL	MOTOR HP	115-60-1	230-60-1	3 PHASE (1) (2)	RM7895 U.V.	RM7840L U.V.	PROVEN LO FIRE START	L-H-L (3)	MOD (4)	
488	CR1-12	1/3	STD.	STD.							STD.
588	CR1-12	1/2	STD.								STD.
6-788	CR2-15	1/2		STD.							STD.
8-988	CR2-20B	1		N.C.	STD.						STD.
10-1288	CR3-20	1-1/2	STD.	N.C.	N.C.	STD.					STD.
1388	CR3-25	1-1/2	STD.	N.C.	N.C.	STD.					STD.
14-1688	CR3-25B	2	STD.	N.C.	N.C.	STD.					STD.
17-1888	CR4-25	3	STD.	N.A.	N.C.	STD.					STD.

Approved Burners are Carlin, Powerflame, Beckett & Riello Consult Customer Services for additional Burner pricing.

- NOTE:**
- Control circuit transformer included with 3 phase motor only.
 - 208-60-3, 240-60-3, 480-60-3, 575-60-3 available. Specify on order.
 - 510-312-043 L4006A1017 (Water) ; 510-312-135 PA404A1009 (Steam)
 - Modulating Control Not Included

GAS/ OIL BURNER	GAS/ OIL (4)		MOTOR CURRENT			BURNER CONTROLS		FIRING OPERATION			CONTROL CABINET
	MODEL	MOTOR HP	115-60-1	230-60-1	3 PHASE (1) (2)	RM7895C U.V.	RM7840L U.V.	PROVEN LO FIRE START	L-H-L (3)	MOD (5)	
4-588	CR1-12	1/2	STD.			STD.					STD.
6-788	CR2-15	3/4	N.C.	STD.		STD.					STD.
888	CR2-20B	1	N.C.	STD.		STD.					STD.
9-1088	CR2-20B	1-1/2	N.C.	STD.		STD.					STD.
11-1288	CR3-20	2	N.C.	N.C.	STD.	STD.					STD.
1388	CR3-25	2	N.C.	N.C.	STD.	STD.					STD.
14-1688	CR3-25B	3	N.A.	N.C.	STD.	STD.					STD.
17-1888	CR4-25	5	N.A.	N.A.	STD.	STD.					STD.

An additional allowance should be made for gravity hot water systems or for unusual piping and pick-up loads.

- NOTE:**
- Control circuit transformer included with 3 phase motor only.
 - 208-60-3, 240-60-3, 480-60-3, 575-60-3 available. Specify on order.
 - 510-312-043 L4006A1017 (Water) ; 510-312-135 PA404A1009 (Steam)
 - Fuel Ignition - Proven Gas Pilot for Gas - Direct Spark for Oil
 - Modulating Control Not Included

In the interest of continual improvements in product and performance, Weil-McLain reserves the right to change specifications without notice.

FOR OTHER ADDITIONAL BOILER EQUIPMENT AND CONTROLS - SEE SECTION 5

COBALT BOILER SYSTEM

Standard Equipment

Cast Iron Sections
 High Tech Insulation & Jacket Set
 Flame Retention Burner
 Burner Mounting Plate with refractory
 Flue Collar with built-in breeching damper
 Observation Port Front and Back Section
 Cleanout Plates
 Top or Rear Outlet (please specify) (80c Only)
 Flue Brush
 A.S.M.E. Relief Valve 30 P. S. I.
 Dual High Limit and Operating Control
 Combination pressure-temperature Gauge
 Built-in air eliminator
 Nipple and 5" and 6" reducing coupling
 (CS3000-CS4500 only)
 Flue Baffles (88c Only)

COBALT NUMBER	BOILER NUMBER	CSA INPUT		CSA GROSS OUTPUT MBH (1)	NET RATING (2)		WATER NET SQ. FT. (3)	BOILER HP	CHIMNEY SIZE VENT DIA. INCHES	SHP WGT
		LIGHT OIL GPH	GAS MBH		WATER MBH					
CS-300	380c	2.25	324	276	240	1,600	8.2	8	1,058	
CS-400	480c	3.20	461	392	341	2,280	11.7	8	1,203	
CS-500	580c	4.15	598	509	443	2,953	15.2	8	1,448	
CS-600	680c	5.20	750	638	555	3,700	19.1	8	1,843	
CS-750	780c	6.10	880	749	651	4,340	22.4	10	2,088	
CS-800	488c	7.00	1,010	868	755	5,033	25.9	10	2,803	
CS-900	880c	7.00	1,009	859	747	4,980	25.7	10	2,317	
CS-1000	980c	8.00	1,154	982	854	5,693	29.3	10	2,678	
CS-1050	588c	9.40	1,356	1,166	1,014	6,760	34.8	10	3,365	
CS-1100	1080c	9.00	1,298	1,105	961	6,407	33.0	10	2,923	
CS-1200	1180c	10.00	1,442	1,227	1,067	7,113	36.7	10	3,068	
CS-1300	1280c	10.80	1,557	1,325	1,152	7,680	39.5	12	3,313	
CS-1350	688c	11.80	1,701	1,463	1,272	8,480	43.6	10	3,942	
CS-1600	788c	14.20	2,049	1,760	1,530	10,200	52.5	12	4,504	
CS-1900	888c	16.60	2,382	2,058	1,790	11,933	61.4	12	5,066	
CS-2100	988c	18.80	2,737	2,330	2,026	13,507	69.5	14	5,673	
CS-2400	1088c	21.50	3,082	2,665	2,317	15,447	79.6	14	6,235	
CS-2600	1188c	23.50	3,428	2,914	2,534	16,893	87.0	14	6,797	
CS-3000	1288c	26.00	3,773	3,224	2,803	18,687	96.2	14	7,359	
CS-3200	1388c	28.50	4,119	3,533	3,072	20,480	105.5	14	7,921	
CS-3500	1488c	31.00	4,464	3,843	3,342	22,280	114.7	16	8,483	
CS-3700	1588c	33.00	4,809	4,091	3,557	23,173	122.1	16	9,270	
CS-4000	1688c	35.50	5,155	4,402	3,828	25,520	131.4	16	9,832	
CS-4200	1788c	38.00	5,494	4,712	4,097	27,313	140.7	18	10,534	
CS-4500	1888c	40.50	5,845	5,021	4,366	29,107	149.9	18	11,096	

- (1) Gross ratings have been determined and certified to efficiency procedures in ANSI Z21/13
- (2) Net Ratings are based on net installed radiation of sufficient quantity for the requirements of the building and nothing need be added for normal piping and pick-up. Water ratings are based on a piping and pick-up allowance of 1.15. An additional allowance should be made for gravity hot water systems or for unusual piping and pick-up loads.
- (3) Based on average water temperature of 170 ° F in radiators.

In the interest of continual improvements in product and performance, Weil-McLain reserves the right to change specifications without notice.

FOR OTHER ADDITIONAL BOILER EQUIPMENT AND CONTROLS - SEE SECTION 5

OPTIONAL EQUIPMENT ON ALL REILLO BURNERS
(Max 4 Lights, Relays, ect. Consult Weil Mclain Customer Service)

DESCRIPTION
LIGHTS (NON ALARM FUNCTION)
CS750-CS1300 Oil Burners
CS300-CS1300 Gas and Gas/ Oil Burners, Power On
CS800-CS3500 Oil Burners
CS3700-CS4500 Oil and all Gas and Gas/ Oil burners
Power On & Fuel on light standard
LIGHTS (ALARM FUNCTION)
S.P.S.T. Relay for alarm function add light above and
3" Alarm Bell mounted and wired on burner
Propane Gas (Instead of Natural Gas)

ADDITIONAL BOILER EQUIPMENT

DESCRIPTION	PART NUMBER
Factory Assembled Sections (Insert "FA", eg' FACS300)	N.P.N.
50 & 55 P.S.I. Water Boilers upon request	N.P.N.
80 P.S.I. Water Boilers	N.P.N.
T Intermediate Section in place of Standard Section	N.P.N.
Control Package Adder - See Section 4-12	
Low Temp Package	
380C-1388C	111-WMC-001
1488C-1688C	111-WMC-002
1788C-1888C	111-WMC-003

In the interest of continual improvements in product and performance, Weil-McLain reserves the right to change specifications without notice.

Cobalt Series - Burners

COBALT NUMBER	BOILER NUMBER	OIL BURNER		MOTOR CURRENT			BURNER CONTROLS		FIRING OPERATIONS			
		MODEL	MOTOR HP	115-60-1 *	240-60-1	3 PHASE (2)	*530SE/ C	**LAL 2.25	ON/OFF	LO FIRE	L-H-L (3)	MOD (3)
CS300	380c	F10	1/8	STD.	N.A.	N.A.	STD.	N.A.	STD.	N.A.	N.A.	N.A.
CS400-600	480c-680c	F15	1/8	STD.	N.A.	N.A.	STD.	N.A.	STD.	N.A.	N.A.	N.A.
CS750	780c	*F20/**R28 2 M	1/8-1/2	* STD.	N.A.	N.A.	STD.	** STD.	STD.	N.A.	** STD.	** STD.
CS800	488c	**RL28 2 M	1/8-1/2	STD.	N.A.	N.A.	N.A.	STD.	N.A.	N.A.	STD.	
CS900-1000	880c-980c	RL28 2 M	1/2	STD.	N.A.	N.A.	N.A.	STD.	N.A.	N.A.	STD.	
CS1050	588c	RL38 2 M	1/2	STD.	N.A.	STD.	N.A.	STD.	N.A.	N.A.	STD.	
CS1100-1300	1080c-1280c	RL38 2 M	1/2-3/4	STD.	N.A.	STD.	N.A.	STD.	N.A.	N.A.	STD.	
CS1350	688c	RL50 2 M	1/2-3/4	STD.	N.A.	STD.	N.A.	STD.	N.A.	N.A.	\$\$\$	\$\$\$
CS1600	788c	RL50 2 M	1/2-3/4	STD.	STD.	STD.	N.A.	STD.	N.A.	N.A.	STD.	
CS1900-2400	888c-1088c	RL70 2 M	1 1/2	N.A.	N.A.	STD.	N.A.	STD.	N.A.	N.A.	STD.	
CS2600-3500	1188c-1388c	RL100 2 M	1 1/2-2 1/2	N.A.	N.A.	STD.	N.A.	STD.	N.A.	N.A.	STD.	
CS3700-4500	1488c-1888c	RL130 2 M	3	N.A.	N.A.	STD.	N.A.	STD.	N.A.	N.A.	STD.	

Approved Burners are Riello. Consult Weil Mclain Customer Service for Additional Burner pricing.

COBALT NUMBER	BOILER NUMBER	GAS BURNER		MOTOR CURRENT			BURNER CONTROLS		FIRING OPERATIONS			
		MODEL	MOTOR HP	115-60-1	240-60-1	3 PHASE (2)	*RMG88 -620A1	**LFL 1.335	ON/OFF	LO FIRE	L-H-L (3)	MOD (3)
CS300	380c	G400	1/8	STD.	N.A.	N.A.	STD.	N.A.	STD.	N.A.	N.A.	N.A.
CS400-500	480c-580c	G750	1/8	STD.	N.A.	N.A.	STD.	N.A.	STD.	N.A.	N.A.	N.A.
CS600-750	680c-780c	*G900/**RS28 M	*1/8-1/2	STD.	N.A.	N.A.	* STD.	** STD.	N.A.	STD.	STD.	
CS800	488c	RS28 1 M	1/2	STD.	N.A.	N.A.	N.A.	STD.	STD.	N.A.		
CS900	880c	RS28 1 M	1/2	STD.	N.A.	N.A.	N.A.	STD.	STD.	STD.	\$\$\$	\$\$\$
CS1000	980c	RS38 1 M	1/2-3/4	STD.	N.A.	STD.	N.A.	STD.	STD.	N.A.	\$\$\$	\$\$\$
CS1050	588c	RS38 1 M	1/2-3/4	STD.	N.A.	STD.	N.A.	STD.	STD.	N.A.		
CS1100-1300	1080c-1280c	*RS38 1 M	1/2-3/4	STD.	N.A.	STD.	N.A.	STD.	STD.	STD.		
CS1350-1600	688c-788c	RS50 M	3/4	STD.	STD.	STD.	N.A.	STD.	N.A.	N.A.	STD.	
CS1900-2400	888c-1088c	RS70 M	1 1/2	N.A.	N.A.	STD.	N.A.	STD.	N.A.	N.A.	STD.	
CS2600-3500	1188c-1488c	RS100 M	2 1/2	N.A.	N.A.	STD.	N.A.	STD.	N.A.	N.A.	STD.	STD.
CS3700-4200	1488c-1788c	RS130 M	3	N.A.	N.A.	STD.	N.A.	STD.	N.A.	N.A.	STD.	STD.

Approved Burners are Riello. Consult Weil Mclain Customer Service for Additional Burner pricing.

COBALT NUMBER	BOILER NUMBER	GAS/OIL BURNER		MOTOR CURRENT			BURNER CONTROLS		FIRING OPERATIONS	
		MODEL	MOTOR HP	115-60-1 *	240-60-1	**3 PHASE (2)	LAL2.25	LFL1.335	L-H-L (3)	MOD (3)
CS750/ 900	780c/ 880c	RLS28	1/2	STD.	N.A.	N.A.	N.A.	STD.	STD.	N.A.
CS800	488c	RLS28	1/2	STD.	N.A.	N.A.	N.A.	STD.	STD.	N.A.
CS1050	588c	RLS38	1/2	STD.	N.A.	N.A.	N.A.	STD.	STD.	N.A.
CS1000-1300	*980c-1280c	RLS38	1/3-3/4	* STD.	N.A.	** STD.	N.A.	STD.	STD.	N.A.
CS1350	688c	RLS50	1/3-3/4	* STD.	N.A.	** STD.	N.A.	STD.	STD.	N.A.
CS1600	788c	RLS50	1/2-3/4	STD.	STD.	STD.	N.A.	STD.	STD.	N.A.
CS1900-2400	888c-1088c	RLS70 M	1 1/2	N.A.	N.A.	STD.	N.A.	STD.	STD.	STD.
CS2600-3500	1188c-1488c	RLS100 M	2 1/2	N.A.	N.A.	STD.	N.A.	STD.	STD.	STD.
CS3700-4000	1588c-1688c	RLS130 M	2 1/2 - 3	N.A.	N.A.	STD.	N.A.	STD.	STD.	STD.

Approved Burners are Riello. Consult Weil Mclain Customer Service for Additional Burner pricing.

- NOTE:**
- Control circuit transformer included with 3 phase motor only.
 - 575-60-3 available.
 - Does Not Include Controller.
 - 115-60-1 control current must be available for all units.
 - Fuel ignition - Gas - Proven gas pilot, oil - Direct Spark Gas/Oil Burner Only
- List Price Each

In the interest of continual improvements in product and performance, Weil-McLain reserves the right to change specifications without notice.

FOR OTHER ADDITIONAL BOILER EQUIPMENT AND CONTROLS - SEE SECTION 5

Cobalt Series - Control Package Adder

BOILER NUMBER	NUMBER OF BOILERS
CS300 - CS 4500	1 Boiler
CS300 - CS 4500	2 Boilers
CS300 - CS 4500	3 Boilers
CS300 - CS 4500	4 Boilers

PGM STATUS PANEL

PANEL INCLUDES:

- PANEL FOR WALL MOUNT NEAR BOILER
- STD POWER ON LIGHT & SWITCH. BURNER ON LIGHT. ADDITIONAL LIGHT & RELAY FOR LO-WATER, HI-TEMP & FLAME FAILURE
- ALARM SILENCING SWITCH & DRY CONTACT FOR REMOTE ALARM

WRS CONTROL PANEL

PANEL INCLUDES:

- ON/OFF CONTROL FOR UPTO 3 ON/OFF BOILERS WITH INDOOR/ OUTDOOR WITH LEAD/LAG. BURNER ON LIGHT.
- LO-HI-LO CONTROL FOR UPTO 4 TWO STAGE BOILERS WITH INDOOR/ OUTDOOR, LEAD/ LAG, ECT
- MODULATION CONTROL FOR UPTO 4 MODULATING BOILERS WITH INDOOR/ OUTDOOR, LEAD/ LAG, ECT
- AQUASTATS INCLUDED FOR ALL ABOVE CONTROLS

For Additional Lights & Relays Consult Weil Mclain Customer Service

NOTE: Please Add 1 Status Panel & 1 Control Panel to Complete Package
Package includes 1 Custom Status Panel with All Lights, Relays, Additional Contacts And Switches
With Alarm & 1 Control For Staging Indoor/ Outdoor Reset, Lead/ Lag & Rotatation of Boilers ECT.

In the interest of continual improvements in product and performance, Weil-McLain reserves the right to change specifications without notice.

94

Series 3

FORCED DRAFT BOILER

Standard Equipment

Weil-McLain Flame Retention Burner for Light Oil, Gas-Light Oil, or Gas
 Burner Mounting Plate and Refractory with Openings for Burner, Controls and Observation Port.
 Triple-Pass Cast Iron Sections
 Front Cleanout Doors and Wing Nuts
 Front Cleanout Plates and Wing Nuts
 Back Access Door with Observation Port
 Weil-McLain Supply Elbow(s) or Top Supply Outlet(s) for water and steam boilers.
 (Built-in Eliminator for water boiler)
 Flanged Flue Collar with built-in Breeching Damper
 Two 3 Inch Close Nipples and Caps for Washout Tappings on the Front Section

Water:
 A.S.M.E. Safety Relief Valve 30 P.S.I.
 Combination Pressure-Temperature Gauge
 Combination High Limit and Low Limit Control

Steam:
 A.S.M.E. Safety Valve(s) (Side Outlets) 15 P.S.I.
 Steam Pressure Gauge, Syphon, Gauge Glass, Gauge Cocks and Gauge Guards
 Low Limit and High Limit Pressure Controls
 Low Water Cut-Off

BOILER NUMBER (1) (2)	BURNER INPUT		IBR GROSS OUTPUT MBH (3)	IBR NET RATING (4)			SQ. FT. WATER (5)	BOILER HP	IBR CHIMNEY SIZE VENT DIA. INCHES	SHP WGT
	LIGHT OIL GPH	GAS MBH		STEAM MBH	STEAM SQ.FT	WATER MBH				
894	17.5	2540	2028	1574.5	6,560	1763.5	11755	60.6	14	8741
994	20	2887	2320	1801.2	7,505	2017.4	13450	69.3	14	9649
1094	22.5	3247	2612	2028	8,450	2271.3	15140	78	16	10522
1194	25	3608	2904	2254.7	9,395	2525.2	16835	86.7	16	11408
1294	27.5	3969	3190	2476.7	10,320	2773.9	18490	95.3	16	12250
1394	30	4330	3480	2701.9	11,260	3026.1	20175	104	18	13089
1494	32.5	4691	3770	2927	12,195	3278.3	21855	112.6	18	13962
1594	35	5052	4070	3159.9	13,165	3539.1	23595	121.6	18	15510
1694	37.5	5412	4360	3385.1	14,105	3791.3	25275	130.2	18	15655
1794	40	5773	4650	3810.2	15,045	4043.5	26955	138.9	20	16488
1894	42.5	6134	4940	3835.4	15,980	4295.7	28640	147.6	20	17601
1994	45	6495	5230	4060.6	16,920	4542.8	30285	156.2	20	18549
2094	47.5	6856	5520	4285.7	17,855	4800	32000	164.9	20	19415
2194	50	7216	5810	4510.9	18,795	5052.2	33675	173.6	20	20281
2294	52.5	7577	6100	4736	19,735	5304.3	35360	182.2	22	21147
2394	55	7938	6390	4961.2	20,670	5556.5	37045	190.9	22	22113
2494	57.5	8299	6680	5186.3	21,610	5808.7	38725	199.6	22	23037
2594	60	8660	6970	5411.5	22,550	6060.9	40406	208.2	22	24045

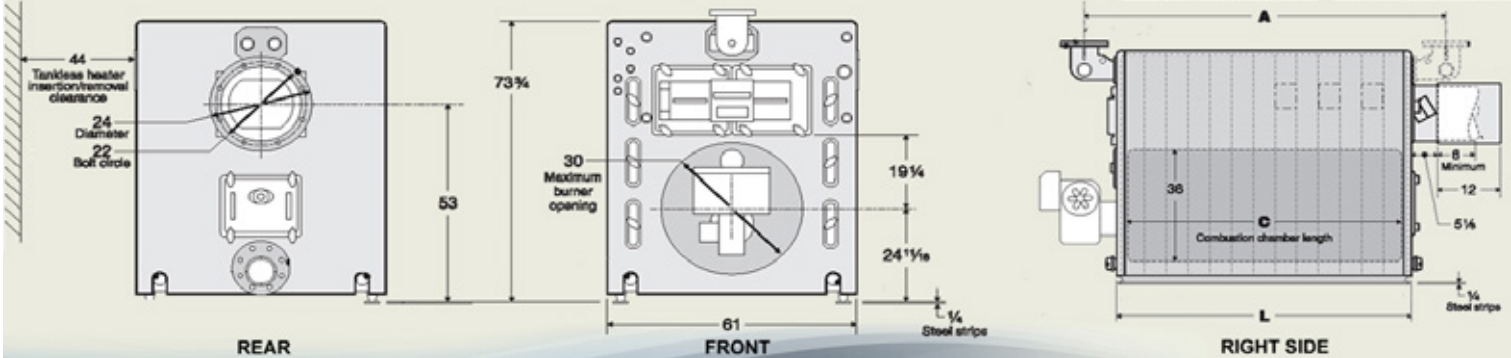
Consult Customer Services for pricing on all 94 boilers.

- (1) Insert 'BL' for light oil, 'BG' For Gas, 'BGL' for combination gas-light oil.
- (2) Insert 'W' for water, or 'S' for steam.
- (3) Gross I-B-R- Ratings have been determined under the I-B-R provisions governing forced draft boiler-burner units.
- (4) Net I-B-R- Ratings are based on the following piping an pick-up allowances: Water Ratings - 1.15;
 Steam Ratings - 1.288. An additional allowance should be made for unusual piping and pick-up loads.
- (5) Based upon average water temperature of 170 °F. in radiators.

OPTIONAL EQUIPMENT

DESCRIPTION	LIST PRICE
Factory Assembled Sections (Insert "FA", eg FA694-W)	CALL
Tankless Heater Openings (With Cover Plate) 94T Intermediate Section in place of Standard Section Guarded Status Panels must be used with factory standard burners on all boilers (Required in certain Provinces where applicable by code)	CALL

Dimensions		Dimensions	
Model	L	Model	L
894	52½	1794	106½
994	58½	1894	112½
1094	64½	1994	118½
1194	70½	2094	124½
1294	76½	2194	130½
1394	82½	2294	136½
1494	88½	2394	142½
1594	94½	2494	148½
1694	100½	2594	154½



In the interest of continual improvements in product and performance, Weil-McLain reserves the right to change specifications without notice.

FOR OTHER ADDITIONAL BOILER EQUIPMENT AND CONTROLS - SEE SECTION 5

94 Series 3 - Burners

OIL FIRED BOILER NUMBER	OIL BURNER (4)		MOTOR CURRENT		BURNER CONTROLS			FIRING OPERATION			CONTROL CABINIT
	MODEL	MOTOR HP	240-60-1	3 PHASE (1) (2)	RA890F	RM7895A	RM7840	LO FIRE	L-H-L (3)	MOD (3)	
8-994	CR3	2	N.C.	STD.	STD.	OPT.	OPT.	STD.	N.C.	OPT.	STD.
10-1394	CR3	2	N.C.	STD.	N.A.	STD.	OPT.	STD.	N.C.	OPT.	STD.
14-1794	CR4	5	N.A.	STD.	N.A.	STD.	OPT.	STD.	N.C.	OPT.	STD.
1894	CR4	5	N.A.	STD.	N.A.	STD.	OPT.	STD.	N.C.	OPT.	STD.
19-2094	CR4	5	N.A.	STD.	N.A.	N.A.	STD.	N.A.	N.A.	STD.	STD.
21-2294	CR5	5	N.A.	STD.	N.A.	N.A.	STD.	N.A.	N.A.	STD.	STD.
23-2594	CR5	7 1/2	N.A.	STD.	N.A.	N.A.	STD.	N.A.	N.A.	STD.	STD.

- NOTE:**
1. Control Circuit Transformer included with 3 phase motor only.
 2. 208-60-3, 240-60-3, 460-60-3, 575-60-3 Available. Specify on order
 3. Does Not Include Controller.
 4. Fuel Ignition - Direct Spark

GAS FIRED BOILER NUMBER	GAS BURNER (4)		MOTOR CURRENT		BURNER CONTROLS			FIRING OPERATION			CONTROL CABINIT
	MODEL	MOTOR HP	240-60-1	3 PHASE (1) (2)	RA890F	RM7895A	RM7840	LO FIRE	L-H-L (3)	MOD (3)	
8-1094	CR3	1 1/2	N.C.	STD.	STD.	OPT.	OPT.	STD.	OPT.	OPT.	STD.
11-1394	CR3	1 1/2	N.C.	STD.	N.A.	STD.	OPT.	STD.	OPT.	OPT.	STD.
14-1794	CR4	3	N.A.	STD.	N.A.	STD.	OPT.	STD.	OPT.	OPT.	STD.
1894	CR4	5	N.A.	STD.	N.A.	STD.	OPT.	STD.	OPT.	OPT.	STD.
19-2094	CR4	5	N.A.	STD.	N.A.	N.A.	STD.	N.A.	N.A.	STD.	STD.
21-2294	CR5	5	N.A.	STD.	N.A.	N.A.	STD.	N.A.	N.A.	STD.	STD.
23-2594	CR5	7 1/2	N.A.	STD.	N.A.	N.A.	STD.	N.A.	N.A.	STD.	STD.

- NOTE:**
1. Control Circuit Transformer included with 3 phase motor only.
 2. 208-60-3, 240-60-3, 460-60-3, 575-60-3 Available. Specify on order
 3. Does Not Include Controller.
 4. Fuel Ignition - Proven gas Pilot

GAS/OIL FIRED BOILER NUMBER	GAS/OIL BURNER (4)		MOTOR CURRENT		BURNER CONTROLS			FIRING OPERATION			CONTROL CABINIT
	MODEL	MOTOR HP	240-60-1	3 PHASE (1) (2)	RA890F	RM7895A	RM7840	LO FIRE	L-H-L (3)	MOD (3)	
8-994	CR3	2	N.C.	STD.	STD.	OPT.	OPT.	STD.	OPT.	OPT.	STD.
10-1394	CR3	2	N.C.	STD.	N.A.	STD.	OPT.	STD.	OPT.	OPT.	STD.
14-1794	CR4	5	N.A.	STD.	N.A.	STD.	OPT.	STD.	OPT.	OPT.	STD.
1894	CR4	5	N.A.	STD.	N.A.	STD.	OPT.	STD.	OPT.	OPT.	STD.
19-2094	CR4	5	N.A.	STD.	N.A.	N.A.	STD.	N.A.	N.A.	STD.	STD.
21-2294	CR5	5	N.A.	STD.	N.A.	N.A.	STD.	N.A.	N.A.	STD.	STD.
23-2594	CR5	7 1/2	N.A.	STD.	N.A.	N.A.	STD.	N.A.	N.A.	STD.	STD.

- NOTE:**
1. Control Circuit Transformer included with 3 phase motor only.
 2. 208-60-3, 240-60-3, 460-60-3, 575-60-3 Available. Specify on order
 3. Does Not Include Controller.
 4. Fuel Ignition - Proven gas Pilot for Gas - Direct Spark for Oil

LIGHTS - (Power On & Fuel On Included)	
- Non Alarm Function	CALL
- Alarm Function (Must Add Light Above) Plus S. P. S. T. Relay for Alarm	CALL
- 3" Alarm Bell Mounted & Wired on Burner	CALL

In the interest of continual improvements in product and performance, Weil-McLain reserves the right to change specifications without notice.

AQUA PLUS

Series 2



Standard Equipment

AHRI Certified - The Trusted Mark of Performance Assurance
 Factory Pressure Tested
 316L welded stainless steel tank
 316L stainless steel coil over 1 inch in diameter
 2" thick CFC-free foam insulation
 150 PSI T&P relief valve included
 Digital thermostat
 residential/commercial capable
 Poly resin top and bottom caps
 Leveling legs

HEATER MODEL NUMBER	RECOVERY US GPH AS PER AHRI 77 °F TEMP RISE (1)		DOMESTIC CAPACITY US GAL	MINIMUM HEAT OUTPUT MBH	SHP WGT	PART NUMBER PEWTER
	1ST HOUR	CONTINUOUS				
AQUA PLUS 35	223	202	29.7	127	94	633-600-000
AQUA PLUS 45	256	221	39.9	140	111	633-600-001
AQUA PLUS 55	298	248	54.1	156	122	633-600-002
AQUA PLUS 85	347	280	81.6	178	223	633-600-003
AQUA PLUS 105	448	376	110.9	235	238	633-600-004

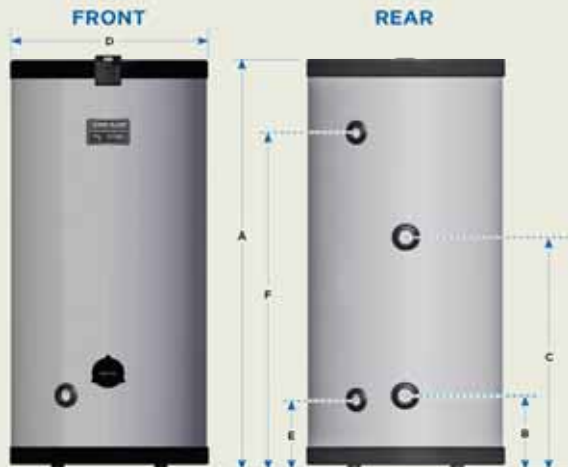
(1) Based on boiler water supply temperature of 180 °F to heater

SPECIFICATIONS

Aqua Plus Model	RATINGS (WITH 50°F DOMESTIC WATER INLET AND STATED OTHER CONDITIONS)								
	200°F Boiler Water			190°F Boiler Water			180°F Boiler Water		
	Boiler Out MBH	115°F DHW GPH	140°F DHW GPH	Boiler Out MBH	115°F DHW GPH	140°F DHW GPH	Boiler Out MBH	115°F DHW GPH	140°F DHW GPH
35	170	337	223	170	311	202	150	294	181
45	190	363	243	170	335	222	150	307	200
55	210	443	302	190	411	278	190	378	252
85	300	551	374	250	511	343	250	470	310
105	350	715	483	350	662	442	300	608	400

DATA

	35	45	55	85	105
DHW Side Storage (gal.)	29.7	39.9	54.1	81.6	110.9
Boiler Side Storage (gal.)	1.7	1.9	2.2	2.7	3.9
Recommended Flow Rates (GPM)	8	8	8	14	14
Head Loss-Boiler Side (ft.)	1.6	1.6	1.6	5.4	7.1
Working Pressure (Tank) (psi)	150 (maximum)				
Working Pressure (Coil) (psi)	145 (maximum)				
DHW Operating Temp (°F)	50°F-160°F, Adjustable to 180°F				
Approx. Shipping Weight (lbs)	94	111	122	223	238



DIMENSIONS

Dimensions (inches)	35	45	55	85	105
A	36"	40"	60"	55"	55"
B	7 1/2"	7 1/2"	7 1/2"	10 1/2"	14 1/2"
C	34"	28"	28 1/2"	33 1/2"	40"
D	21 1/2"	21 1/2"	21 1/2"	26"	30"
E	7 1/2"	7 1/2"	7 1/2"	8 1/2"	8 1/2"
F	26"	27 1/2"	31 1/2"	30 1/2"	48 1/2"
DHW In/Out	1/2 in NPT			1 in NPT	
Boiler Water In/Out	1 in NPT			1 in NPT	

In the interest of continual improvements in product and performance, Weil-McLain reserves the right to change specifications without notice.

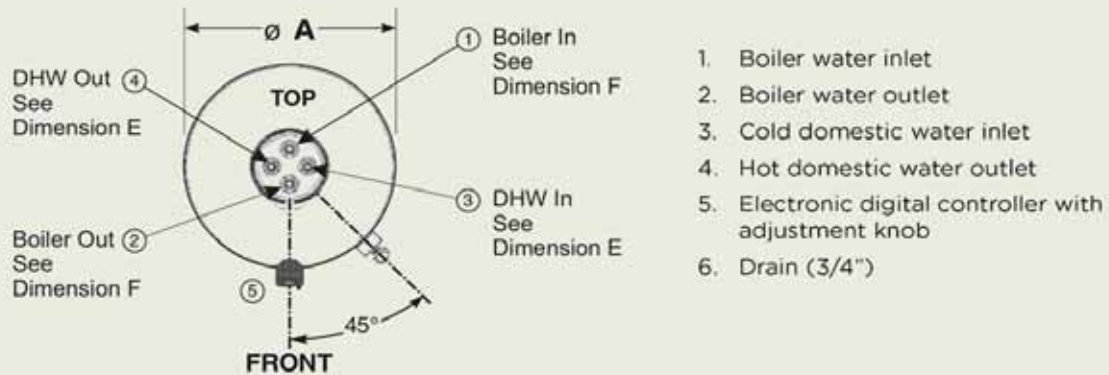
FOR OTHER ADDITIONAL BOILER EQUIPMENT AND CONTROLS - SEE SECTION 5

Standard Equipment

Lightweight, composite, easily maneuvered non-metallic tank
 No anode to check, no annual maintenance
 Convenient top connections
 Seamless tank construction, no welds
 Digital temperature control
 Removable copper finned high-output coil
 Durable brass drain valve
 Low heat loss, 2" foam insulation
 AHRI Certified—the trusted mark of performance assurance

HEATER MODEL NUMBER	RECOVERY US GPH AS PER AHRI 77 °F TEMP RISE ⁽¹⁾		POTABLE WATER VOLUME	MINIMUM HEAT OUTPUT MBH	SHP WGT	PART NUMBER
	1ST HOUR	CONTINUOUS				
AQUA PRO 30	199	177	30	115	70	633-500-200
AQUA PRO 55	217	177	55	115	95	633-500-201
AQUA PRO 80	381	315	80	199	125	633-500-202
AQUA PRO 119	477	381	119	244	155	633-500-203

(1) Based on boiler water supply temperature of 180 °F to heater



	Dimensions						Shipping weight (approx.) Pounds
	A Overall Diameter	B Inner Tank Diameter	C Height to Fitting	D Height of Jacket	Connections		
					E DHW In/Out	F Boiler water In/Out	
Inches	Inches	Inches	Inches	Inches MNPT	Inches MNPT		
30	20-3/4	18	40-1/2	37-3/4	3/4	3/4	70
55	28	24	41	38-1/8	3/4	3/4	95
80	28	24	53-1/2	50-3/4	1-1/2	1	125
119	28	24	74	71-1/4	1-1/2	1	155



In the interest of continual improvements in product and performance, Weil-McLain reserves the right to change specifications without notice.

ADDITIONAL EQUIPMENT

Water Level and Safety Controls		PART NUMBER
- No. 247-2	L.W.C.O. and Feeder Combination (30 P.S.I.) (Do Not Use On LGB, 88 or 94)	511-114-510
- No. 61	Low Water Cut-Off (20 P.S.I.) (Use On All Boilers) (Std. With All Steam Boilers)	511-114-474
- No. 63(M)	Low Water Cut-Off (50 P.S.I.) (Use On All Boilers)	511-114-479
- No. 64	Low Water Cut-Off (50 P.S.I.) (Use On All Boilers)	511-114-473
- No. 93	L.W.C.O. and Pump Control (150 P.S.I.) (Use On All Boilers)	511-114-477
- No. 193	L.W.C.O. and Pump Control (With Water Column) (150 P.S.I.) (For All Boilers)	511-114-506
- No. 150S-MD	L.W.C.O. and Pump Control (150 P.S.I.) (Do Not Use On 94)	511-114-526
- No. 157S-MD	L.W.C.O. & Pump Control (Less Gauge Glass & Cocks) (150 P.S.I.) (Not for 94)	511-114-527
- No. 751P-MT-120	L.W.C.O. Probe Type with Manual Reset. 750P-MT-120 MM1354081 with Probe Inside (Water Only)	511-115-016
- No. TC-4	Test-N-Check Valves (Simplify Testing L.W.C.O. on Water Boilers Only)	511-114-615

Temperature and Pressure Controls		PART NUMBER
- PA404A1009	High Limit Pressure Control	510-312-135
- L4006A1017	High Temperature Limit Control with Well	510-312-043
- L4006E1000	Manual Reset High Temperature Limit Control with Well	510-312-041
- L4079B1033	Manual Reset High Limit Pressure Control	510-312-060
- L91B1035	Modulating Pressuretrol	510-712-121
- L4081A1171	Dual High Limit and Operating Control with Well	510-312-065

Temperature and Pressure Gauges		PART NUMBER
- 5" Dia. (127 mm) Dial Thermometer 1/2" N.P.T. Range 10 to 150° C and 50 to 300° F		510-218-202
- 3-1/2" Dia. (90 mm) Dial Pressure Gauge 1/4" N.P.T. Back Range 0 to 60 P.S.I. & 0 to 406 KPA		510-218-206
- 4-1/2" Dia. (114 mm) Dial Pressure Gauge 1/4" N.P.T. Back Range 0 to 60 P.S.I. & 0 to 406 KPA		510-218-207
- 6" Dia. (152 mm) Dial Steam Gauge 1/4" N.P.T. Bot. Range 0 to 30 P.S.I. and 0 to 203 KPA		510-218-087

In the interest of continual improvements in product and performance, Weil-McLain reserves the right to change specifications without notice.

FOR OTHER ADDITIONAL BOILER EQUIPMENT AND CONTROLS - SEE SECTION 5

Indoor / Outdoor

DESCRIPTION	PART NUMBER
BCP-3 Indoor / Outdoor water temperature control with adjustable reset ratio. 2 to 3 on-off boilers or 1 Lo/ Hi/ Lo boiler (complete with sensors)	389-900-220
BCP-8 Eight stage Indoor/ Outdoor reset control or constant temperature control Water Steam BCP-8 Extension Module BMC Multiple Water Boiler Modulating Control BMC Extension Module BMC 4-20mA Input Module BSC Multiple Water/ Steam Sequencing/ Modulating Control BSCNet Sequencing/ Modulating Control with BacNet	389-900-221 389-900-222 389-900-223 389-900-224 389-900-225 389-900-226 389-900-219 389-900-228
Accessories (Sensors included with every model except BSC and BSCNet; Steam Sensor not Included) Universal 3-in-1 Temperature Outdoor Sensor Kit (water only - includes indoor system sensor) Brass Tube Sensor w/ 8" of wire - indoor system sensor (water only) Pressure Sensor Assembly (less siphon) (steam only)	389-900-229 389-900-230 511-624-643



In the interest of continual improvements in product and performance, Weil-McLain reserves the right to change specifications without notice.

BASEBOARD



RC TYPE CAST IRON BASEBOARD PANELS

Pricing includes air seal, holding clips, centre supports, air vent plug, coin air vent valves, plugs and wall clips and push nipples.

LIST PRICE \$	PER FOOT
---------------	----------

DESCRIPTION	SIZE	PART NUMBER
Left Hand Leg Panels	1'- 6"	623-900-100
	2'	623-900-103
Intermediate Panels	2'	623-900-150
Right Hand Leg Panels	1'	623-900-120
	2'	623-900-123
Complete Panels	1'	190-100-000
	1'-6"	190-100-002
	2'	190-100-004

CAST IRON BASEBOARD SHIPPING WEIGHT

14 Lbs. Per Linear Foot

RATING PER LINEAR FOOT

STEAM RATING SQ. FT. STEAM @ 215° F.	HOT WATER RATINGS IN B.T.U. PER HOUR 500 LBS PER HOUR FLOW RATE AVERAGE WATER TEMPERATURE BETWEEN INLET & OUTLET						
	150° F	160° F	170° F	180° F	190° F	200° F	215° F
3.35	390	450	510	570	640	700	800

CAST IRON BASEBOARD ACCESSORIES

DESCRIPTION	PART NUMBER
Valve Enclosure (End Cover Not Included)	624-900-100
5 1/2" Plain Enclosure (End Covers Not Included)	624-900-105
10" Plain Enclosure (End Covers Not Included)	624-900-110
L.H. End Cover	624-900-115
R.H. End Cover	624-900-120
4" Inside Cover	624-900-125
10" Inside Corner Cover	624-900-130
4" Easy Angle Connector	624-900-175
Outside Corner Cover	624-900-135
* Metal Extension – Matched 6' Length Set	624-900-145
Assembly Clamp – Lever Type	624-900-170
Push Nipples	625-100-115

In the interest of continual improvements in product and performance, Weil-McLain reserves the right to change specifications without notice.

FOR OTHER ADDITIONAL BOILER EQUIPMENT AND CONTROLS - SEE SECTION 5

REFER TO TERMS & CONDITIONS FORM ON PAGE 7-7

ALL TAXES EXTRA

Effective: July 2nd, 2024

PAGE 6-1

Warranty

Effective for Boilers manufactured on or after March 17, 2014

Product	Models	Limited Warranty
Aquabalance High Efficiency Gas Boiler	(Residential) (Commercial)	Residential: 10 years Limited – Heat Exchanger Replacement 2 years – Parts Commercial: 5 years – Heat Exchanger Replacement 2 year – All other parts See www.weil-mclain.ca for Additional Warranty/Registration Information
Ultra High Efficiency Gas Boiler	80 – 310 (Residential) 80-399 (Commercial)	Residential: 12 years – Heat Exchanger Replacement 2 Years – Parts (5 Years if Registered) Commercial: 10 years – Heat Exchanger Replacement 1 year – All other parts See www.weil-mclain.ca for Additional Warranty/Registration Information
WM97+ High Efficiency Gas Boiler	70-155	Residential: 12 years – Heat Exchanger Replacement 2 years – All other parts Commercial: 10 years – Heat Exchanger Replacement 1 year – All other parts
Stainless Steel Vertical Firetube Boiler	500-1100	Residential: 10 years – On the Tank 2 years – All other parts (Heat Exchanger Coil is under the Parts Warranty) Transferable to subsequent owner Commercial: 10 years - On The Tank 2 year – All other Parts (Heat Exchanger Coil is under the Parts Warranty) Transferable to subsequent owner
Stainless Steel Vertical Firetube Boiler	1500-3000	Residential: 10 years - On The Tank 2 year – All other Parts (Heat Exchanger Coil is under the Parts Warranty) Transferable to subsequent owner Commercial: 10 years - On The Tank 2 year – All other Parts (Heat Exchanger Coil is under the Parts Warranty) Transferable to subsequent owner
EVG High Efficiency Gas Boiler	110-399	Residential: 12 years – Heat Exchanger Replacement 2 years – All other parts (Five Years if Registered) Commercial: (Must Be Registered) 10 years – Heat Exchanger Replacement 1 year – All other parts * Evergreen Boilers Installed after October 1st 2017 have 5-Years Parts Warranty.
ECO Tec High Efficiency Gas Boiler	80 - 199	Residential: 12 years – Heat Exchanger Replacement 2 years – All other parts 5 Years – Parts (If Registered) Commercial: 10 years – Heat Exchanger Replacement 1 year – All other parts

In the interest of continual improvements in product and performance, Weil-McLain reserves the right to change specifications without notice.

FOR OTHER ADDITIONAL BOILER EQUIPMENT AND CONTROLS - SEE SECTION 5

REFER TO TERMS & CONDITIONS FORM ON PAGE 7-7

ALL TAXES EXTRA

Effective: July 2nd, 2024

PAGE 7-1

Warranty

Effective for Boilers manufactured on or after March 17, 2014 (...Continued)

Product	Models	Limited Warranty
Cast Iron Gas Boiler	GV90+	Residential: 20 years – Primary Heat Exchanger Replacement 5 years – Secondary Heat Exchanger 2 years – All other parts Commercial: 10 years – Primary Heat Exchanger Replacement 5 years – Secondary Heat Exchanger 1 year – All other parts.
Cast Iron Gas Boiler	CGs, CGI, CGs, CGI	Residential: 20 years – Heat Exchanger Replacement 2 years – All other parts Commercial: 10 years – Heat Exchanger Replacement 1 year – All other parts
Cast Iron Gas Boiler	EG Water Applications	Residential: 20 years – Heat Exchanger Replacement 2 years – All other parts Commercial: 10 years – Heat Exchanger Replacement 1 year – All other parts
Cast Iron Gas Boiler	EG & PEG – Steam Applications	Residential: 10 years – Heat Exchanger Replacement 2 years – All other parts Commercial: 10 years – Heat Exchanger Replacement 1 year – All other parts
Cast Iron Oil Boiler	WGO, WTGO, Ultra Oil	Residential: 20 years – Heat Exchanger Replacement 2 years – All other parts Commercial: 10 years – Heat Exchanger Replacement 1 year – All other parts
Cast Iron Oil Boiler	SGO	Residential: 10 years – Heat Exchanger Replacement 2 years – All other parts Commercial: 10 years – Heat Exchanger Replacement 1 year – All other parts
Slimfit High Efficient Commercial Condensing Boiler	SF1000/SF1500/SF2000	Residential: 10 years – Heat Exchanger Replacement 2 year – All other parts Commercial: 10 years – Heat Exchanger Replacement 2 year – All other parts
Ultra Gas Boiler	550 & 750	Residential: 10 years – Heat Exchanger Replacement 2 year – All other parts Commercial: 10 years – Heat Exchanger Replacement 2 year – All other parts
Cast Iron Gas Boiler	EGH	Residential: 10 years – Heat Exchanger Replacement 1 year – All other parts Commercial: 10 years – Heat Exchanger Replacement 1 year – All other parts
Cast Iron Gas Boiler	LGB	Residential: 10 years – Heat Exchanger Replacement 1 year – All other parts Commercial: 10 years – Heat Exchanger Replacement 1 year – All other parts

In the interest of continual improvements in product and performance, Weil-McLain reserves the right to change specifications without notice.

FOR OTHER ADDITIONAL BOILER EQUIPMENT AND CONTROLS - SEE SECTION 5

REFER TO TERMS & CONDITIONS FORM ON PAGE 7-7

ALL TAXES EXTRA

Effective: July 2nd, 2024

PAGE 7-2

Warranty

Effective for Boilers manufactured on or after March 17, 2014 (...Continued)

Product	Models	Limited Warranty
Indirect-Fired Water Heater	Aqua Pro	Residential: 12 years – On the Tank 2 years – All other parts (Heat Exchanger Coil is under the Parts Warranty) Transferrable to subsequent owner Commercial: 10 years – On The Tank 1 year – All other Parts (Heat Exchanger Coil is under the Parts Warranty) Transferrable to subsequent owner
Cast Iron Gas & Oil Boilers	80, 88, 94	Residential: 10 years – Heat Exchanger Replacement 1 year – All other parts Commercial: 10 years – Heat Exchanger Replacement 1 year – All other parts
Cast Iron Gas Boiler	PFG	Discontinued
Indirect-Fired Water Heater	Aqua Plus	Residential: 12 years – Tank Assembly 2 years – All other parts Commercial: 7 years – Tank Assembly 1 year – All other parts
Indirect-Fired Water Heater	AquaLogic	Residential: 12 years – Tank Assembly 2 years – All other parts Commercial: 10 years – Tank Assembly 1 year – All other parts
Boiler and Heating Systems Parts & Accessories		1 year

In the interest of continual improvements in product and performance, Weil-McLain reserves the right to change specifications without notice.

FOR OTHER ADDITIONAL BOILER EQUIPMENT AND CONTROLS - SEE SECTION 5

REFER TO TERMS & CONDITIONS FORM ON PAGE 7-7

ALL TAXES EXTRA

Effective: July 2nd, 2024

PAGE 7-3

Warranty

Effective for Boilers manufactured on or after October 10, 2011, but before March 17, 2014

Product	Models	Limited Warranty
Ultra High Efficiency Gas Boiler	80 – 399	Residential: 15 years – Heat Exchanger Replacement. Prorated after 10 Years 1 years – Parts Commercial: 15 years – Heat Exchanger Replacement 1 year – All other parts
High Efficiency Gas Boiler	WM97+	Residential: 12 years – Heat Exchanger Replacement 2 years – All other parts Commercial: 12 years – Heat Exchanger Replacement 1 year – All other parts
ECO High Efficiency Gas Boiler	70 – 155	Residential: 10 years – Heat Exchanger Replacement 1 years – All other parts Commercial: 10 years – Heat Exchanger Replacement 1 year – All other parts
Cast Iron Gas Boiler	GV90+	Residential: 20 years – Cast Iron Heat Exchanger 5 years – Stainless Steel Heat Exchanger 2 years – All other parts Commercial: 10 years – Cast Iron Heat Exchanger 5 years – Stainless Steel Heat Exchanger 1 year – All other parts
Cast Iron Gas Boiler	CGa, CGI, CGs, CGt	Residential: 20 years – Heat Exchanger Replacement 2 years – All other parts Commercial: 10 years – Heat Exchanger Replacement 1 year – All other parts
Cast Iron Gas Boiler	EG – Water Applications	Residential: 20 years – Heat Exchanger Replacement 2 years – All other parts Commercial: 10 years – Heat Exchanger Replacement 1 year – All other parts
Cast Iron Gas Boiler	EG & PEG – Steam Applications	Residential: 10 years – Heat Exchanger Replacement 2 years – All other parts Commercial: 10 years – Heat Exchanger Replacement 1 year – All other parts
Cast Iron Oil Boiler	WGO, WTGO, Ultra Oil	Residential: 20 years – Heat Exchanger Replacement 2 years – All other parts Commercial: 10 years – Heat Exchanger Replacement 1 year – All other parts

In the interest of continual improvements in product and performance, Weil-McLain reserves the right to change specifications without notice.

FOR OTHER ADDITIONAL BOILER EQUIPMENT AND CONTROLS - SEE SECTION 5

REFER TO TERMS & CONDITIONS FORM ON PAGE 7-7

ALL TAXES EXTRA

Effective: July 2nd, 2024

PAGE 7-4

Warranty

Effective for Boilers manufactured on or after October 10, 2011 (...Continued)

Product	Models	Limited Warranty
Cast Iron Oil Boiler	SGO	Residential: 10 years – Heat Exchanger Replacement 2 years – All other parts Commercial: 10 years – Heat Exchanger Replacement 1 year – All other parts
Slimfit High Efficient Commercial Condensing Boiler	SF1000/SF1500/SF2000	Residential: 10 years – Heat Exchanger Replacement 2 year – All other parts Commercial: 10 years – Heat Exchanger Replacement 2 year – All other parts
Ultra Gas Boiler	550 & 750	Residential: 10 years – Heat Exchanger Replacement 2 years – All other parts Commercial: 10 years – Heat Exchanger Replacement 2 year – All other parts
Cast Iron Gas Boiler	EGH	Residential: 10 years – Heat Exchanger Replacement 1 year – All other parts Commercial: 10 years – Heat Exchanger Replacement 1 year – All other parts
Cast Iron Gas Boiler	LGB	Residential: 10 years – Heat Exchanger Replacement 1 year – All other parts Commercial: 10 years – Heat Exchanger Replacement 1 year – All other parts
Cast Iron Gas & Oil Boilers	80, 88, 94	Residential: 10 years – Heat Exchanger Replacement 1 year – All other parts Commercial: 10 years – Heat Exchanger Replacement 1 year – All other parts
Cast Iron Gas Boiler	PFG	Residential: 10 years – Heat Exchanger Replacement (Boiler Replacement) 1 year – All other parts Commercial: 10 years – Heat Exchanger Replacement (Boiler Replacement) 1 year – All other parts
Indirect-Fired Water Heaters		Residential: Lifetime Limited– Tank Assembly 1 year – All other parts Commercial: 15 years – Tank Assembly (Prorated after 5 years) 1 year – All other parts
Boiler and Heating Systems Parts & Accessories		1 year

In the interest of continual improvements in product and performance, Weil-McLain reserves the right to change specifications without notice.

FOR OTHER ADDITIONAL BOILER EQUIPMENT AND CONTROLS - SEE SECTION 5

Warranty

Effective for Boilers manufactured prior to October 10, 2011

Product	Models	Limited Warranty
Ultra Gas Boilers	80 – 399	15 years – Heat Exchanger Replacement Prorated after 10 years 1 year – Parts
Ultra Gas Boilers	550 & 750	10 year – Heat Exchanger Replacement 2 years – All other parts
Cast Iron Gas Boiler	GV90+	Residential: 20 years – Primary Heat Exchanger 5 years – Secondary Heat Exchanger 2 years – All other parts Commercial: 10 years – Primary Heat Exchanger 5 years – Secondary Heat Exchanger 1 year – All other parts
Cast Iron Boilers	Residential – Water	Lifetime Limited – Cast Iron Sections 1 year – All other parts
Cast Iron Boilers	Residential – Steam	10 years – Cast Iron Sections 1 year – All other parts
Cast Iron Boilers	Commercial	10 years – Cast Iron Sections 1 year – All other parts
Indirect-Fired Water Heaters		Residential: Lifetime Limited– Tank Assembly 1 year – All other parts Commercial: 15 years – Tank (Prorated after 5 years) Assembly 1 year – All other parts
Boiler and Heating Systems Parts & Accessories		1 year

In the interest of continual improvements in product and performance, Weil-McLain reserves the right to change specifications without notice.

FOR OTHER ADDITIONAL BOILER EQUIPMENT AND CONTROLS - SEE SECTION 5

WEIL-McLAIN Canada Sales Inc. – Terms and Conditions for Sale

Trade Prices – All prices and terms shown herein supersede all prior Trade Price Books, List Price Sheets, Price Lists, Stocking Distributor Discount Schedules, and quotations and are subject to change or withdrawal without notice.

Orders are accepted only with the understanding that invoicing will be at the prices and discounts in effect at the time of shipment and are subject to the terms, conditions and provisions contained in this Trade Price Book, order status reports, invoices, sales department bulletins and quotation forms. Orders shall not result in a contract until accepted and acknowledged by Weil-McLain at our home office in Burlington, Ontario. Weil-McLain is not bound by any terms on Distributors' order forms that attempt to impose any conditions at variance with Weil-McLain's Terms and Conditions for Sale.

Our Trade Price Schedules are for use by Weil-McLain Distributors and their contractor-customers as a listing of current hydronic products with suggested trade prices. These prices, however, do not necessarily represent price levels in Distributors' local markets, nor do they limit in any way the Distributor's right to set their prices for resale.

Quotations – All written quotations automatically expire unless accepted within thirty (30) days of the date quoted, unless otherwise stipulated.

Submittals – Where submittal material is required for a specific installation, we must receive a "hold for approval" purchase order at our home office in Burlington at the time of request for submittal. If a Weil-McLain quotation has been given, this quotation or quotation number must be a part of the purchase order. Release of such purchase order must be either by copy of the approved submittal, a copy of our submittal with noted changes, or release of the purchase order **as written**. We cannot accept orders that are marked "per specifications".

Payment and Cash Discount – Invoices will be Subject to one of the following:

- I. Non – stocking distributors: net 30 days from date of invoice.
- II. Stocking Distributors: 2% discount **Due the 10th day of the month following the date of invoice; or**
- III. Invoice will be due net **30 days** from the date of invoice.

The cash discount is to be computed on the total amount of the invoice before any additions or taxes are applied. The rate of interest of 2% per month will be charged on all past due accounts.

An order for items which total less than \$25.00 will be shown on the invoice at \$25.00 minimum.

Taxes – Any Sales Taxes payable on the transaction under any effective statute are to be added to the price and terms quoted.

Delivery – Weil-McLain shall not be liable for any delay or failure in delivery of shipment of products or for any damages suffered by reason of such delay or failure, when the delay or failure is directly or indirectly due to fire, flood, accidents, acts of God, riots, war, embargo, labor stoppages, inadequate transportation facilities, shortage of materials or supplies, regulation by Governmental authority or any other cause or causes beyond our reasonable control. Weil-McLain reserves the right to allocate available production among its customers in such a manner as in its sole discretion deems necessary or desirable. No claims on goods received at variance from order or shortages in orders will be allowed unless presented within ten (10) days after receipt of goods. The responsibility of Weil-McLain ceases upon delivery of materials in good order to the transportation company. As all merchandise is shipped at consignee's risk, it should be examined carefully before signing delivery receipts. If transportation company tenders delivery of merchandise in bad order, consignee should insist on transportation company's agent making notation of condition on delivery receipt, thus enabling the consignee to secure payment of transportation claims which may be filed by him for value of damaged material. No claims on goods received damaged will be allowed unless presented within ten (10) days after receipt of goods.

Transportation – Shipments of Weil-McLain products are f.o.b. Burlington, Ontario, Canada. Freight allowance to one destination for Commercial cast iron products is 20,000 lbs. min or 20+ Residential Boilers. Any additional service charges performed by carrier at destination that are not included in the road haul rate are the responsibility of the consignee. Weil-McLain reserves the choice of transportation facilities and shipping point. Freight allowances and freight program are subject to change without notice.

Labour or Material Claims – Weil-McLain will not be responsible for any labour or material claims without prior written approval from the Burlington, Ontario facility.

Returned Goods – Material not defective and of current standard manufacture must not be returned without first securing a Return Goods Assessment Form (RGA) and when returned it must be crated or cartoned for protection in transportation. It will be subject to a deduction of twenty-five (25) percent for rehandling and all transportation charges, including freight and cartage, will be paid by shipper. Credit will not be given for material received in damaged or used condition. Material made on special order or obsolete material is not subject to return. Material will be assessed by Weil-McLain and the assessed value issued via credit note.

Orders - Order cancellations are subject to a cancellation fee of no less than 25% of the order value and up to full value for special orders.

Product manufactured or modified to meet engineered specifications, other specific conditions, or any product listed as custom or non-stock, are non-cancellable and/or non-returnable.

REFER TO TERMS AND CONDITIONS FORM ON PAGE 7-7 ALL TAXES EXTRA Effective: July 4, 2022



www.weil-mclain.ca